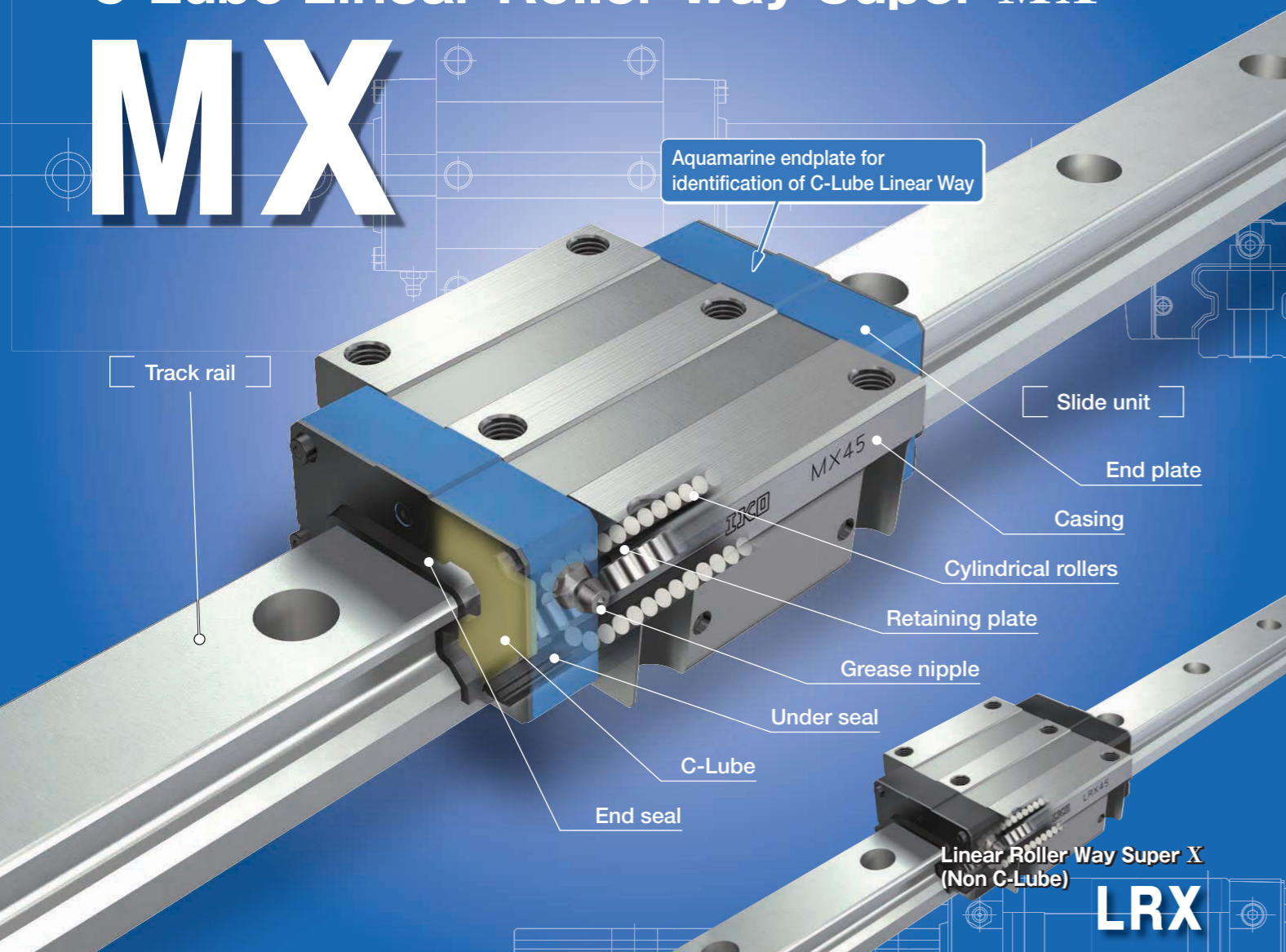


# **C-Lube Linear Roller Way Super MX** **Linear Roller Way Super X**

# C-Lube Linear Roller Way Super MX

# MX



## Features

### Super high rigidity

Rigidity of linear motion rolling guide has a large influence to the performance of machines or equipment in which they are assembled.

Very high rigidity of C-Lube Linear Roller Way Super MX is achieved owing to the excellent elastic deformation characteristics of cylindrical rollers which give smaller elastic deformation under load as compared with steel balls. In addition, a large number of cylindrical rollers are incorporated in the slide unit.

### Accurate positioning with excellent friction characteristics

As compared with the slide guides and ball type linear motion rolling guides, roller type has superior frictional characteristics and gives lower frictional resistance under preload. Good response to micro feeding and high positioning accuracy can thus be achieved.

### Excellent vibration damping characteristics

As compared with ball types in the same size, C-Lube Linear Roller Way Super MX has higher rigidity and gives much smaller deformation value under repeated fluctuating load. The natural frequency is high, and the vibration damping time can be very short.

### Maintenance free for saving-resources

Maintenance free has the ability to maintain lubrication for a long time, reducing the amount of labor required for troublesome lubrication maintenance. The capillary lubrication body continuously supplies lubricant for long period of time even after original grease inside is completely exhausted.

### Interchangeability among types of slide unit

Various types of slide units with different sectional shapes and lengths are prepared. All of these slide units can be mounted on the same track rails freely as required.

## Identification number and specification

The specification of C-Lube Linear Roller Way Super MX is identified by the identification number, which consists of a model code, a size, a part code, a preload symbol, a classification symbol, interchangeable code and optional supplemental codes.

| Interchangeable specification     | 1   | 2 | 3  | 4  | 5    | 6 | 7              | 8 | 9  | 10 |
|-----------------------------------|-----|---|----|----|------|---|----------------|---|----|----|
| Slide unit only                   | MX  | G | 15 | C1 |      |   | T <sub>1</sub> | P | S1 | /Z |
| Track rail only <sup>(1)</sup>    | LRX |   | 15 |    | R240 |   |                | P | S1 |    |
| Set product                       | MX  | G | 15 | C2 | R240 |   | T <sub>1</sub> | P | S1 | /Z |
| Non-interchangeable specification |     |   |    |    |      |   |                |   |    |    |
| Set product                       | MX  | G | 15 | C2 | R240 |   | T <sub>1</sub> | P |    | /Z |

- 1 Series: Model code on page II-151
- 2 Length of slide unit: Part code on page II-152
- 3 Size of rolling guide: Size on page II-151
- 4 Number of slide unit: Part code on page II-152
- 5 Length of track rail: Material symbol on page II-152
- 6 Material: Material symbol on page II-152
- 7 Preload: Preload symbol on page II-155
- 8 Accuracy class: Classification symbol on page II-156
- 9 Interchangeable: Interchangeable code on page II-157
- 10 Optional specification: Supplemental code on page II-157

Note<sup>(1)</sup>: For the model code of a single track rail of interchangeable specification, indicate "LRX" regardless of the slide unit type to be combined.

# Identification number and specification

—Series · Length of slide unit · Size of rolling guide—

**1 Series**

C-Lube Linear Roller Way Super X (MX Series) Flange type mounted from top/bottom : MX<sup>(?)</sup>  
 Block type mounted from top : MXD  
 Compact block type mounting from top : MXS  
 Low section flange type mounted from top : MXN  
 Low section block type mounted from top : MXNS

Linear Roller Way Super X<sup>(1)</sup> (LRX Series) Flange type mounted from top/bottom : LRX<sup>(?)</sup>  
 Block type mounted from top : LRXD  
 Compact block type mounting from top : LRXS

Applicable size and shape of slide unit are shown in Table 1.1 and 1.2.  
 For the model code of a single track rail of interchangeable specification, indicate "LRX" regardless of the slide unit type to be combined.

Note<sup>(1)</sup> : Linear Roller Way without C-Lube.  
 Note<sup>(?)</sup> : MX20 (LRX20) can be mounted from top only. MXH20 (LRXH20) can be mounted from bottom, which has the same dimensions as those of above models.

**2 Length of slide unit**

Short : C  
 Standard : No symbol  
 High rigidity long : G  
 Extra high rigidity long : L

Applicable size and shape of slide unit are shown in Table 1.1 and 1.2.

**3 Size of rolling guide**

10, 12, 15, 20, 25, 30, 35, 45, 55, 65, 85, 100

Applicable size and shape of slide unit are shown in Table 1.1 and 1.2.

Table 1.1 Model and size of MX and LRX

| Material               | Shape                               | Length of slide unit | Model code | Size |    |    |                  |    |    |    |    |    |    |    |     |       |       |   |   |                  |                  |   |   |   |   |   |   |   |   |
|------------------------|-------------------------------------|----------------------|------------|------|----|----|------------------|----|----|----|----|----|----|----|-----|-------|-------|---|---|------------------|------------------|---|---|---|---|---|---|---|---|
|                        |                                     |                      |            | 10   | 12 | 15 | 20               | 25 | 30 | 35 | 45 | 55 | 65 | 85 | 100 |       |       |   |   |                  |                  |   |   |   |   |   |   |   |   |
| High carbon steel made | Flange type mounted from top/bottom | Short                | MXC        | -    | ○  | ○  | ○ <sup>(1)</sup> | ○  | ○  | ○  | ○  | ○  | ○  | -  | -   | LRXC  | -     | ○ | ○ | ○ <sup>(1)</sup> | ○                | ○ | ○ | ○ | ○ | ○ | - | - |   |
|                        |                                     |                      | MX         | -    | ○  | ○  | ○ <sup>(1)</sup> | ○  | ○  | ○  | ○  | ○  | ○  | ○  | -   | -     | LRX   | - | ○ | ○                | ○ <sup>(1)</sup> | ○ | ○ | ○ | ○ | ○ | ○ | - | - |
|                        |                                     | Standard             | MXG        | -    | ○  | ○  | ○ <sup>(1)</sup> | ○  | ○  | ○  | ○  | ○  | ○  | ○  | -   | -     | LRXG  | - | ○ | ○                | ○ <sup>(1)</sup> | ○ | ○ | ○ | ○ | ○ | ○ | - | - |
|                        |                                     |                      | MXL        | -    | -  | -  | ○ <sup>(1)</sup> | ○  | ○  | ○  | ○  | ○  | ○  | ○  | -   | -     | LRXL  | - | - | -                | -                | - | - | - | - | - | ○ | - | - |
|                        |                                     | High rigidity long   | MXDC       | -    | ○  | ○  | ○                | ○  | ○  | ○  | ○  | ○  | ○  | ○  | -   | -     | LRXDC | - | ○ | ○                | ○                | ○ | ○ | ○ | ○ | ○ | ○ | - | - |
|                        |                                     |                      | MXD        | -    | ○  | ○  | ○                | ○  | ○  | ○  | ○  | ○  | ○  | ○  | -   | -     | LRXD  | - | ○ | ○                | ○                | ○ | ○ | ○ | ○ | ○ | ○ | - | - |
|                        | Block type mounted from top         | Short                | MXDG       | -    | ○  | ○  | ○                | ○  | ○  | ○  | ○  | ○  | ○  | -  | -   | LRXDG | -     | ○ | ○ | ○                | ○                | ○ | ○ | ○ | ○ | ○ | - | - |   |
|                        |                                     |                      | MXDL       | -    | -  | -  | ○                | ○  | ○  | ○  | ○  | ○  | ○  | -  | -   |       |       |   |   |                  |                  |   |   |   |   |   |   |   |   |

Remark : The mark  indicates that interchangeable specification products are available.

—Number of slide units · Length of track rail · Material—

**4 Number of slide units** : ○ For an assembled set, indicates the number of slide units assembled on one track rail. For an interchangeable slide unit only, "C1" can be indicated.

**5 Length of track rail** : ○ Indicate the length of track rail in mm. For standard and maximum lengths, see "Track rail length" in Table 2.1, 2.2, 2.3, 2.4.

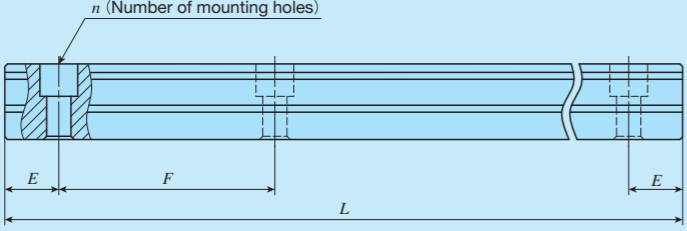
**6 Material** High carbon steel made : No symbol For available material types, see Tables 1.1 and 1.2.  
 Stainless steel made : SL

Table 1.2 Model and size of MX and LRX

| Material               | Shape                                    | Length of slide unit     | Model code | Size |    |    |    |    |    |    |    |    |    |    |           |       |   |   |   |   |   |   |   |   |   |   |   |  |
|------------------------|--|--------------------------|------------|------|----|----|----|----|----|----|----|----|----|----|-----------|-------|---|---|---|---|---|---|---|---|---|---|---|--|
|                        |  |                          |            | 10   | 12 | 15 | 20 | 25 | 30 | 35 | 45 | 55 | 65 | 85 | 100       |       |   |   |   |   |   |   |   |   |   |   |   |  |
| High carbon steel made | Compact block type mounted from top      | Short                    | MXSC       | -    | -  | ○  | ○  | ○  | ○  | -  | -  | -  | -  | -  | LRXSC     | -     | - | ○ | ○ | ○ | ○ | - | - | - | - | - |   |  |
|                        |  |                          | MXS        | -    | -  | ○  | ○  | ○  | ○  | ○  | -  | -  | -  | -  | -         | LRXS  | - | - | ○ | ○ | ○ | ○ | - | - | - | - | - |  |
|                        |  | Standard                 | MXSG       | -    | -  | ○  | ○  | ○  | ○  | ○  | ○  | ○  | -  | -  | -         | LRXSG | - | - | ○ | ○ | ○ | ○ | - | - | - | - | - |  |
|                        |  |                          | MXSL       | -    | -  | -  | ○  | ○  | ○  | -  | -  | -  | -  | -  | -         |       |   |   |   |   |   |   |   |   |   |   |   |  |
|                        |  | High rigidity long       | MXN        | -    | -  | -  | -  | -  | ○  | ○  | ○  | -  | -  | -  | -         |       |   |   |   |   |   |   |   |   |   |   |   |  |
|                        |  |                          | MXNG       | -    | -  | -  | -  | -  | ○  | ○  | ○  | -  | -  | -  | -         |       |   |   |   |   |   |   |   |   |   |   |   |  |
|                        | Extra high rigidity long                 | MXNL                     | -          | -    | -  | -  | -  | ○  | ○  | ○  | -  | -  | -  | -  |           |       |   |   |   |   |   |   |   |   |   |   |   |  |
|                        |  | MXNS                     | -          | -    | -  | -  | -  | ○  | ○  | ○  | -  | -  | -  | -  |           |       |   |   |   |   |   |   |   |   |   |   |   |  |
|                        | Low section flange type mounted from top | Standard                 | MXNSG      | -    | -  | -  | -  | ○  | ○  | ○  | -  | -  | -  | -  |           |       |   |   |   |   |   |   |   |   |   |   |   |  |
|                        |  |                          | MXNSL      | -    | -  | -  | -  | ○  | ○  | ○  | -  | -  | -  | -  |           |       |   |   |   |   |   |   |   |   |   |   |   |  |
|                        |  | High rigidity long       | LRXDC...SL | -    | ○  | ○  | ○  | ○  | ○  | -  | -  | -  | -  | -  |           |       |   |   |   |   |   |   |   |   |   |   |   |  |
|                        |  |                          | MXD...SL   | -    | ○  | ○  | ○  | ○  | ○  | ○  | -  | -  | -  | -  | LRXD...SL | ○     | ○ | ○ | ○ | ○ | ○ | - | - | - | - | - | - |  |
|                        |  | Extra high rigidity long | LRXDG...SL | -    | ○  | ○  | ○  | ○  | ○  | ○  | -  | -  | -  | -  |           |       |   |   |   |   |   |   |   |   |   |   |   |  |
|                        |  |                          |            |      |    |    |    |    |    |    |    |    |    |    |           |       |   |   |   |   |   |   |   |   |   |   |   |  |

Remark : The mark  indicates that interchangeable specification products are available.

Table 2.1 Standard and maximum lengths of high carbon steel track rails



| Item                          | Model number                  | MX 12<br>LRX12  | MX 15<br>LRX15  | MX 20<br>LRX20   | MX 25<br>LRX25   | MX 30<br>LRX30   | MX 35<br>LRX35   |                  |
|-------------------------------|-------------------------------|---|---|--|--|--|--|------------------|
| Standard length $L(n)$        |                               | 80 ( 2 )<br>160 ( 4 )<br>240 ( 6 )<br>320 ( 8 )<br>400 ( 10 )<br>480 ( 12 )<br>560 ( 14 )<br>640 ( 16 )<br>720 ( 18 ) | 180 ( 3 )<br>240 ( 4 )<br>360 ( 6 )<br>480 ( 8 )<br>660 ( 11 )            | 240 ( 4 )<br>480 ( 8 )<br>660 ( 11 )<br>840 ( 14 )<br>1 020 ( 17 )<br>1 200 ( 20 )<br>1 500 ( 25 ) | 240 ( 4 )<br>480 ( 8 )<br>660 ( 11 )<br>840 ( 14 )<br>1 020 ( 17 )<br>1 200 ( 20 )<br>1 500 ( 25 ) | 480 ( 6 )<br>640 ( 8 )<br>800 ( 10 )<br>1 040 ( 13 )<br>1 200 ( 15 )<br>1 520 ( 19 ) | 480 ( 6 )<br>640 ( 8 )<br>800 ( 10 )<br>1 040 ( 13 )<br>1 200 ( 15 )<br>1 520 ( 19 ) |                  |
|                               | Pitch of mounting holes $F$   | 40  | 60  | 60   | 60   | 80   | 80   |                  |
|                               | $E$                           | 20  | 30  | 30   | 30   | 40   | 40   |                  |
|                               | Standard range of $E^{(1)}$   | incl.   | 5.5   | 7  | 8  | 9  | 10   | 10               |
|                               |                               | under   | 25.5  | 37   | 38   | 39   | 50   | 50               |
|                               | Maximum length <sup>(2)</sup> |   | 1 480   | 1 500<br>(1 980)   | 1 980<br>(3 000)   | 3 000<br>(3 960)   | 2 960<br>(4 000)   | 2 960<br>(4 000) |
|                               | Item                          | Model number  | MX 45<br>LRX45  | MX 55<br>LRX55   | MX 65<br>LRX65   | LRX85  | LRXG100  |                  |
|                               | Standard length $L(n)$        |   | 840 ( 8 )<br>1 050 ( 10 )<br>1 260 ( 12 )<br>1 470 ( 14 )<br>1 995 ( 19 ) | 840 ( 7 )<br>1 200 ( 10 )<br>1 560 ( 13 )<br>1 920 ( 16 )<br>3 000 ( 25 )                          | 1 500 ( 10 )<br>1 950 ( 13 )<br>3 000 ( 20 )   | 1 620 ( 9 )<br>1 980 ( 11 )<br>2 340 ( 13 )<br>2 700 ( 15 )                          | 1 500 ( 10 )<br>1 950 ( 13 )<br>3 000 ( 20 )   |                  |
|                               |                               | Pitch of mounting holes $F$   | 105   | 120  | 150  | 180  | 150  |                  |
|                               |                               | $E$   | 52.5  | 60   | 75   | 90   | 75   |                  |
| Standard range of $E^{(1)}$   |                               | incl.   | 12.5  | 15   | 17   | 23   | 29   |                  |
|                               |                               | under   | 65  | 75   | 92   | 113  | 104  |                  |
| Maximum length <sup>(2)</sup> |                               |   | 2 940<br>(3 990)  | 3 000<br>(3 960)   | 3 000<br>(3 900)   | 2 880  | 3 000  |                  |

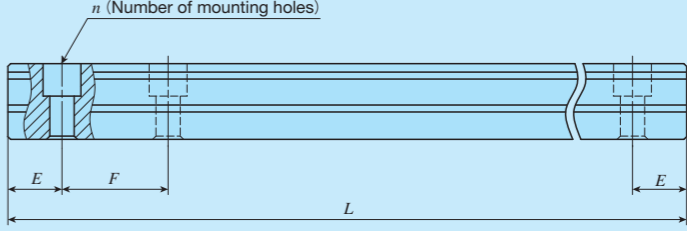
Note<sup>(1)</sup> : Not applicable to the track rail with female threads for bellows (supplemental code "/J").  
<sup>(2)</sup> : Track rails with the maximum lengths shown in parentheses can also be manufactured. Consult **IKO** for further information.  
 Remark 1 : For half pitch of track rail mounting holes (supplemental code "/HP"), the maximum length is 2970mm.  
 2 : For the model code of a single track rail of interchangeable specification, indicate "LRX" regardless of the slide unit type to be combined.  
 3 : The above table shows representative model numbers but is applicable to all models of the same size.

Table 2.2 Standard and maximum lengths of Stainless steel track rail

| Item                   | Model number                  | LRXD10...SL   | MX 12...SL<br>LRX12...SL  | MX 15...SL<br>LRX15...SL                                       | MX 20...SL<br>LRX20...SL                           | MX 25...SL<br>LRX25...SL                           | MX 30...SL<br>LRX30...SL                             |                  |
|------------------------|-------------------------------|---|---|--|--|--|--|------------------|
| Standard length $L(n)$ |                               | 50 ( 2 )<br>100 ( 4 )<br>150 ( 6 )<br>200 ( 8 )<br>250 ( 10 )<br>300 ( 12 )<br>350 ( 14 )<br>400 ( 16 )<br>450 ( 18 )<br>500 ( 20 ) | 80 ( 2 )<br>160 ( 4 )<br>240 ( 6 )<br>320 ( 8 )<br>400 ( 10 )<br>480 ( 12 )<br>560 ( 14 )<br>640 ( 16 )<br>720 ( 18 ) | 180 ( 3 )<br>240 ( 4 )<br>360 ( 6 )<br>480 ( 8 )<br>660 ( 11 ) | 240 ( 4 )<br>480 ( 8 )<br>660 ( 11 )<br>840 ( 14 ) | 240 ( 4 )<br>480 ( 8 )<br>660 ( 11 )<br>840 ( 14 ) | 480 ( 6 )<br>640 ( 8 )<br>800 ( 10 )<br>1 040 ( 13 ) |                  |
|                        | Pitch of mounting holes $F$   | 25  | 40  | 60   | 60   | 60   | 80   |                  |
|                        | $E$                           | 12.5  | 20  | 30   | 30   | 30   | 40   |                  |
|                        | Standard range of $E^{(1)}$   | incl.   | 5   | 5.5  | 7  | 8  | 9  | 10               |
|                        |                               | under   | 17.5  | 25.5   | 37   | 38   | 39   | 50               |
|                        | Maximum length <sup>(2)</sup> |   | 850<br>(1 000)  | 1 000<br>(1 480)   | 1 200<br>(1 980)                                   | 1 200<br>(1 980)                                   | 1 200<br>(1 980)                                     | 1 200<br>(2 000) |

Note<sup>(1)</sup> : Not applicable to the track rail with female threads for bellows (supplemental code "/J").  
<sup>(2)</sup> : Track rails with the maximum lengths shown in parentheses can also be manufactured. Consult **IKO** for further information.  
 Remark 1 : For half pitch of track rail mounting holes (supplemental code "/HP"), the maximum length is 2970mm.  
 2 : For the model code of a single track rail of interchangeable specification, indicate "LRX" regardless of the slide unit type to be combined.  
 3 : The above table shows representative model numbers but is applicable to all models of the same size.

Table 2.3 Standard and maximum lengths of high carbon steel track rail (Half pitch of track rail mounting holes specification /HP)



| Item                          | Model number                  | MX 12.../HP<br>LRX12.../HP  | MX 15.../HP<br>LRX15.../HP   | MX 20.../HP<br>LRX20.../HP  | MX 25.../HP<br>LRX25.../HP   | MX 30.../HP<br>LRX30.../HP   | MX 35.../HP<br>LRX35.../HP   |                  |
|-------------------------------|-------------------------------|---|--|---|--|--|--|------------------|
| Standard length $L(n)$        |                               | 80 ( 4 )<br>160 ( 8 )<br>240 ( 12 )<br>320 ( 16 )<br>400 ( 20 )<br>480 ( 24 )<br>560 ( 28 )<br>640 ( 32 )<br>720 ( 36 ) | 180 ( 6 )<br>240 ( 8 )<br>360 ( 12 )<br>480 ( 16 )<br>660 ( 22 )           | 240 ( 8 )<br>480 ( 16 )<br>660 ( 22 )<br>840 ( 28 )<br>1 020 ( 34 )<br>1 200 ( 40 )<br>1 500 ( 50 ) | 480 ( 16 )<br>660 ( 22 )<br>840 ( 28 )<br>1 020 ( 34 )<br>1 200 ( 40 )<br>1 500 ( 50 ) | 480 ( 12 )<br>640 ( 16 )<br>800 ( 20 )<br>1 040 ( 26 )<br>1 200 ( 30 )<br>1 520 ( 38 ) | 480 ( 12 )<br>640 ( 16 )<br>800 ( 20 )<br>1 040 ( 26 )<br>1 200 ( 30 )<br>1 520 ( 38 ) |                  |
|                               | Pitch of mounting holes $F$   | 20  | 30   | 30  | 30   | 40   | 40   |                  |
|                               | $E$                           | 10  | 15   | 15  | 15   | 20   | 20   |                  |
|                               | Standard range of $E^{(1)}$   | incl.   | 5.5  | 7   | 8  | 9  | 10   | 10               |
|                               |                               | under   | 15.5   | 22  | 23   | 24   | 30   | 30               |
|                               | Maximum length <sup>(2)</sup> |   | 1 480  | 1 500<br>(1 980)  | 1 980<br>(3 000)   | 3 000<br>(3 960)   | 2 960<br>(4 000)   | 2 960<br>(4 000) |
|                               | Item                          | Model number  | MX 45.../HP<br>LRX45.../HP   | MX 55.../HP<br>LRX55.../HP  | MX 65.../HP<br>LRX65.../HP   | MX 85.../HP<br>LRX85.../HP   |  |                  |
|                               | Standard length $L(n)$        |   | 840 ( 16 )<br>1 050 ( 20 )<br>1 260 ( 24 )<br>1 470 ( 28 )<br>1 995 ( 38 ) | 840 ( 14 )<br>1 200 ( 20 )<br>1 560 ( 26 )<br>1 920 ( 32 )<br>3 000 ( 50 )                          | 1 500 ( 20 )<br>1 950 ( 26 )<br>3 000 ( 40 )   | 1 620 ( 18 )<br>1 980 ( 22 )<br>2 340 ( 26 )<br>2 700 ( 30 )                           |  |                  |
|                               |                               | Pitch of mounting holes $F$   | 52.5   | 60  | 75   | 90   |  |                  |
|                               |                               | $E$   | 26.25  | 30  | 37.5   | 45   |  |                  |
| Standard range of $E^{(1)}$   |                               | incl.   | 12.5   | 15  | 17   | 23   |  |                  |
|                               |                               | under   | 38.75  | 45  | 54.5   | 68   |  |                  |
| Maximum length <sup>(2)</sup> |                               |   | 2 940<br>(3 990)   | 3 000<br>(3 960)  | 3 000<br>(3 900)   | 2 970  |  |                  |

Note<sup>(1)</sup> : Not applicable to the track rail with female threads for bellows (supplemental code "/J").  
<sup>(2)</sup> : Track rails with the maximum lengths shown in parentheses can also be manufactured. Consult **IKO** for further information.  
 Remark 1 : The above table shows representative model numbers but is applicable to all models of the same size.  
 2 : When ordering track rail only, model code should be changed as shown below.  
 MX / MXD / MXS → LRX (Ex: LRX15R240HS2)

Table 2.4 Standard and maximum lengths of Stainless steel track rail (Half pitch of track rail mounting holes specification /HP)

| Item                   | Model number                  | MX 12...SL/HP<br>LRX12...SL/HP  | MX 15...SL/HP<br>LRX15...SL/HP                                   | MX 20...SL/HP<br>LRX20...SL/HP                      | MX 25...SL/HP<br>LRX25...SL/HP         | MX 30...SL/HP<br>LRX30...SL/HP                         |                  |
|------------------------|-------------------------------|---|--|---|--|--|------------------|
| Standard length $L(n)$ |                               | 80 ( 4 )<br>160 ( 8 )<br>240 ( 12 )<br>320 ( 16 )<br>400 ( 20 )<br>480 ( 24 )<br>560 ( 28 )<br>640 ( 32 )<br>720 ( 36 ) | 180 ( 6 )<br>240 ( 8 )<br>360 ( 12 )<br>480 ( 16 )<br>660 ( 22 ) | 240 ( 8 )<br>480 ( 16 )<br>660 ( 22 )<br>840 ( 28 ) | 480 ( 16 )<br>660 ( 22 )<br>840 ( 28 ) | 480 ( 12 )<br>640 ( 16 )<br>800 ( 20 )<br>1 040 ( 26 ) |                  |
|                        | Pitch of mounting holes $F$   | 20  | 30   | 30  | 30                                     | 40   |                  |
|                        | $E$                           | 10  | 15   | 15  | 15                                     | 20   |                  |
|                        | Standard range of $E^{(1)}$   | incl.   | 5.5  | 7   | 8                                      | 9  | 10               |
|                        |                               | under   | 15.5   | 22  | 23                                     | 24   | 30               |
|                        | Maximum length <sup>(2)</sup> |   | 1 000<br>(1 480)   | 1 200<br>(1 980)                                    | 1 200<br>(1 980)                       | 1 200<br>(1 980)                                       | 1 200<br>(2 000) |

Note<sup>(1)</sup> : Not applicable to the track rail with female threads for bellows (supplemental code "/J").  
<sup>(2)</sup> : Track rails with the maximum lengths shown in parentheses can also be manufactured. Consult **IKO** for further information.  
 Remark 1 : The above table shows representative model numbers but is applicable to all models of the same size.  
 2 : When ordering track rail only, model code should be changed as shown below.  
 MX / MXD / MXS → LRX (Ex: LRX15R240HS2)

**7 Preload amount**

|                |                  |   |
|----------------|------------------|---|
| Standard       | : No symbol      | Specify this item for an assembled set or a single slide unit.                          |
| Light preload  | : T <sub>1</sub> |   |
| Medium preload | : T <sub>2</sub> | For applicable preload amount, see Table 3. For details of preload amount, see Table 4. |
| Heavy preload  | : T <sub>3</sub> |   |

**Table 3 Preload amount**

| Preload type   | Item           | Symbol | Preload amount N    | Application   |
|----------------|----------------|--------|---------------------|---|
| Standard       | (No Symbol)    |        | 0 <sup>(1)</sup>    | · Very smooth motion  |
| Light preload  | T <sub>1</sub> |        | 0.02 C <sub>0</sub> | · Minimum vibration<br>· Load is evenly balanced<br>· Smooth and precise motion |
| Medium preload | T <sub>2</sub> |        | 0.05 C <sub>0</sub> | · Medium vibration<br>· Medium overhung load                                    |
| Heavy preload  | T <sub>3</sub> |        | 0.08 C <sub>0</sub> | · Vibration and / or shocks<br>· Large overhung load<br>· Heavy cutting         |

Note<sup>(1)</sup> : Zero or minimal amount of preload.  
Remark : C<sub>0</sub> means the basic static load rating.

**Table 4 Applicable preload**

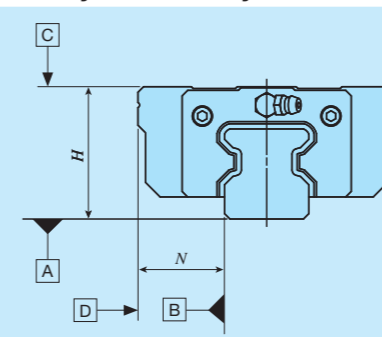
| Size | Preload class and code |                                 |                                  |                                 |
|------|------------------------|---------------------------------|----------------------------------|---------------------------------|
|      | Standard (No symbol)   | Light preload (T <sub>1</sub> ) | Medium preload (T <sub>2</sub> ) | Heavy preload (T <sub>3</sub> ) |
| 10   | ○                      | ○                               | —                                | —                               |
| 12   | ○                      | ○                               | ○                                | ○                               |
| 15   | ○                      | ○                               | ○                                | ○                               |
| 20   | ○                      | ○                               | ○                                | ○                               |
| 25   | ○                      | ○                               | ○                                | ○                               |
| 30   | ○                      | ○                               | ○                                | ○                               |
| 35   | ○                      | ○                               | ○                                | ○                               |
| 45   | ○                      | ○                               | ○                                | ○                               |
| 55   | ○                      | ○                               | ○                                | ○                               |
| 65   | ○                      | ○                               | ○                                | ○                               |
| 85   | ○                      | ○                               | ○                                | ○                               |
| 100  | ○                      | ○                               | ○                                | ○                               |

Remark : The mark ○ indicates that interchangeable specification products are available.

**8 Accuracy class**

|                 |      |  |
|-----------------|------|--|
| High            | : H  | Super precision class (SP) and Ultra precision class (UP) are applicable to Non-interchangeable products only. In the interchangeable specification, please combine the same accuracy codes on both slide unit and track rail. |
| Precision       | : P  |  |
| Super precision | : SP |  |
| Ultra precision | : UP |  |

**Table 5 Accuracy of Linear Way and Linear Roller Way**

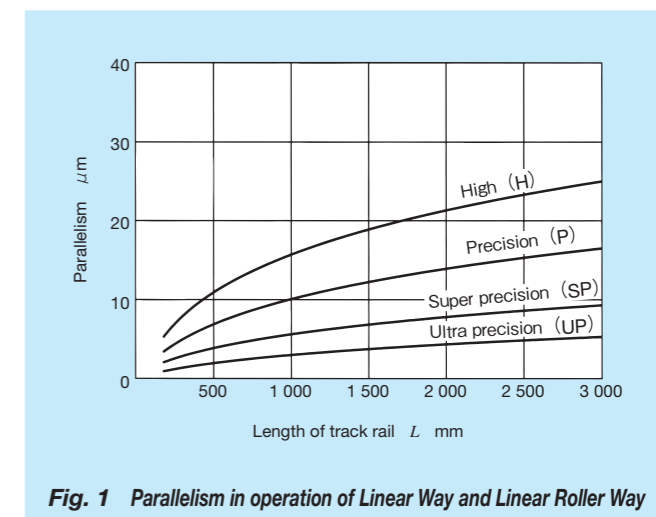


unit : mm

| Classification(symbol)   | High (H)    | Precision (P) | Super precision (SP) | Ultra precision (UP) |
|--|-------------|---------------|----------------------|----------------------|
| Item   |             |               |                      |                      |
| Dim. H tolerance   | ±0.040      | ±0.020        | ±0.010               | ±0.008               |
| Dim. N tolerance   | ±0.050      | ±0.025        | ±0.015               | ±0.010               |
| Dim. variation of H <sup>(1)</sup>                             | 0.015       | 0.007         | 0.005                | 0.003                |
| Dim. variation of N <sup>(1)</sup>                             | 0.020       | 0.010         | 0.007                | 0.003                |
| Dim. variation of H for multiple assembled sets <sup>(2)</sup> | 0.035       | 0.025         | —                    | —                    |
| Parallelism in operation of C to A                             | See Fig. 1. |               |                      |                      |
| Parallelism in operation of D to B                             | See Fig. 1. |               |                      |                      |

Note<sup>(1)</sup> : It means the size variation between slide units mounted on the same track rail.

<sup>(2)</sup> : Applicable to the interchangeable specification products.



**Fig. 1 Parallelism in operation of Linear Way and Linear Roller Way**

**Table 6 Accuracy class and size**

| Size | Accuracy class |               |                      |                      |
|------|----------------|---------------|----------------------|----------------------|
|      | High (H)       | Precision (P) | Super precision (SP) | Ultra precision (UP) |
| 10   | ○              | ○             | ○                    | ○                    |
| 12   | ○              | ○             | ○                    | ○                    |
| 15   | ○              | ○             | ○                    | ○                    |
| 20   | ○              | ○             | ○                    | ○                    |
| 25   | ○              | ○             | ○                    | ○                    |
| 30   | ○              | ○             | ○                    | ○                    |
| 35   | ○              | ○             | ○                    | ○                    |
| 45   | ○              | ○             | ○                    | ○                    |
| 55   | ○              | ○             | ○                    | ○                    |
| 65   | ○              | ○             | ○                    | ○                    |
| 85   | ○              | ○             | ○                    | ○                    |
| 100  | ○              | ○             | ○                    | ○                    |

Remark : The mark ○ indicates that interchangeable specification products are available.

|  |                 |      |  |
|--|-----------------|------|--|
| <b>9 Interchangeable specification</b> | Interchangeable | : S2 | In C-Lube Linear Roller Way, slide unit and track rail can be supplied separately by indicating interchangeable code S2. |
|--|-----------------|------|--|

|                                 |  |   |
|---------------------------------|--|---|
| <b>10 Special specification</b> | /A, /D, /E, /F, /GE, /HP, /I, /JO, /LO, /LFO, /MA, /MN, /N, /PS, /Q, /RCO, /T, /UR, /VO, /WO, /YO, /ZO | For applicable special specifications, see Table 7.1, 7.2, 7.3, 7.4. When several special specifications are combined, see Table 8. For details of special specifications, see page III-17. |
|---------------------------------|--|---|

**Table 7.1 Special specifications (Interchangeable specification, Single slide units)**

| Optional specification   | Supplemental code | Size |    |    |    |    |    |    |    |    |    |    |     |
|--|-------------------|------|----|----|----|----|----|----|----|----|----|----|-----|
|  |                   | 10   | 12 | 15 | 20 | 25 | 30 | 35 | 45 | 55 | 65 | 85 | 100 |
| Changed pitch of slide unit middle mounting holes <sup>(1)</sup> | /GE               | —    | —  | ○  | ○  | ○  | ○  | ○  | ○  | ○  | —  | —  | —   |
| Female threads for bellows <sup>(2)</sup>                        | /JO               | —    | —  | ○  | ○  | ○  | ○  | ○  | ○  | ○  | —  | —  | —   |
| No end seal <sup>(3)</sup>                                       | /N                | —    | ○  | ○  | ○  | ○  | ○  | ○  | ○  | —  | —  | —  | —   |
| C-Lube plates <sup>(4)</sup>                                     | /Q                | —    | ○  | ○  | ○  | ○  | ○  | ○  | ○  | ○  | —  | —  | —   |
| Double end seals   | /VO               | —    | ○  | ○  | ○  | ○  | ○  | ○  | ○  | ○  | —  | —  | —   |
| Scrapers   | /ZO               | —    | ○  | ○  | ○  | ○  | ○  | ○  | ○  | ○  | —  | —  | —   |

Note<sup>(1)</sup> : Applicable to MX, MXG, MXH20 and MXHG20.

<sup>(2)</sup> : Not applicable to stainless steel type.

<sup>(3)</sup> : Not applicable to low section frange and block type, and size 55 and 65.

<sup>(4)</sup> : Applicable to LRX series

**Table 7.2 Special specifications (Single track rail)**

| Optional specification                    | Supplemental code | Size |    |    |    |    |    |    |    |    |    |    |     |
|---|-------------------|------|----|----|----|----|----|----|----|----|----|----|-----|
|   |                   | 10   | 12 | 15 | 20 | 25 | 30 | 35 | 45 | 55 | 65 | 85 | 100 |
| Specified rail mounting hole positions    | /E                | —    | ○  | ○  | ○  | ○  | ○  | ○  | ○  | ○  | —  | —  | —   |
| Caps for rail mounting holes              | /F                | —    | ○  | ○  | ○  | ○  | ○  | ○  | ○  | ○  | —  | —  | —   |
| Half pitch of track rail mounting holes   | /HP               | —    | ○  | ○  | ○  | ○  | ○  | ○  | ○  | ○  | —  | —  | —   |
| Female threads for bellows <sup>(1)</sup> | /JO               | —    | —  | ○  | ○  | ○  | ○  | ○  | ○  | ○  | —  | —  | —   |
| Black chrome surface treatment            | /LO               | —    | ○  | ○  | ○  | ○  | ○  | ○  | ○  | ○  | —  | —  | —   |
| Without track rail mounting bolts         | /MN               | —    | ○  | ○  | ○  | ○  | ○  | ○  | ○  | ○  | —  | —  | —   |
| Butt-jointing interchangeable track rail  | /T                | —    | ○  | ○  | ○  | ○  | ○  | ○  | ○  | ○  | —  | —  | —   |

Note<sup>(1)</sup> : Not applicable to stainless steel type.

**Table 7.3 Special specifications (Assembled set)**

| Optional specification   | Supplemental code | Size |    |    |    |    |    |    |    |    |    |    |     |
|--|-------------------|------|----|----|----|----|----|----|----|----|----|----|-----|
|  |                   | 10   | 12 | 15 | 20 | 25 | 30 | 35 | 45 | 55 | 65 | 85 | 100 |
| Opposite reference surfaces arrangement                          | /D                | —    | ○  | ○  | ○  | ○  | ○  | ○  | ○  | ○  | —  | —  | —   |
| Specified rail mounting hole positions                           | /E                | —    | ○  | ○  | ○  | ○  | ○  | ○  | ○  | ○  | —  | —  | —   |
| Caps for rail mounting holes                                     | /F                | —    | ○  | ○  | ○  | ○  | ○  | ○  | ○  | ○  | —  | —  | —   |
| Changed pitch of slide unit middle mounting holes <sup>(1)</sup> | /GE               | —    | —  | ○  | ○  | ○  | ○  | ○  | ○  | ○  | —  | —  | —   |
| Half pitch of track rail mounting holes                          | /HP               | —    | ○  | ○  | ○  | ○  | ○  | ○  | ○  | ○  | —  | —  | —   |
| Female threads for bellows <sup>(2)</sup>                        | /JO               | —    | —  | ○  | ○  | ○  | ○  | ○  | ○  | ○  | —  | —  | —   |
| Black chrome surface treatment                                   | /LO               | —    | ○  | ○  | ○  | ○  | ○  | ○  | ○  | ○  | —  | —  | —   |
| Fluorine black chrome surface treatment                          | /LFO              | —    | ○  | ○  | ○  | ○  | ○  | ○  | ○  | ○  | —  | —  | —   |
| With track rail mounting bolts <sup>(3)</sup>                    | /MA               | —    | ○  | ○  | ○  | ○  | ○  | ○  | ○  | ○  | —  | —  | —   |
| Without track rail mounting bolts <sup>(3)</sup>                 | /MN               | —    | ○  | ○  | ○  | ○  | ○  | ○  | ○  | ○  | —  | —  | —   |
| No end seal <sup>(5)</sup>                                       | /N                | —    | ○  | ○  | ○  | ○  | ○  | ○  | ○  | —  | —  | —  | —   |
| C-Lube plates <sup>(4)</sup>                                     | /Q                | —    | ○  | ○  | ○  | ○  | ○  | ○  | ○  | ○  | —  | —  | —   |
| Butt-jointing interchangeable track rail                         | /T                | —    | ○  | ○  | ○  | ○  | ○  | ○  | ○  | ○  | —  | —  | —   |
| Double end seals   | /VO               | —    | ○  | ○  | ○  | ○  | ○  | ○  | ○  | ○  | —  | —  | —   |
| Specified grease <sup>(4)</sup>                                  | /YO               | —    | ○  | ○  | ○  | ○  | ○  | ○  | ○  | ○  | —  | —  | —   |
| Scrapers   | /ZO               | —    | ○  | ○  | ○  | ○  | ○  | ○  | ○  | ○  | —  | —  | —   |

Note<sup>(1)</sup> : Applicable to MX, MXG, MXH20 and MXHG20.

<sup>(2)</sup> : Not applicable to stainless steel type.

<sup>(3)</sup> : Applicable to MX series

<sup>(4)</sup> : Applicable to LRX series

<sup>(5)</sup> : Not applicable to low section frange and block type, and size 55 and 65.

**Table 7.4 Special specifications (Non interchangeable specification)**

| Optional specification   | Supplemental code | Size |    |    |    |    |    |    |    |    |    |    |     |
|--|-------------------|------|----|----|----|----|----|----|----|----|----|----|-----|
|  |                   | 10   | 12 | 15 | 20 | 25 | 30 | 35 | 45 | 55 | 65 | 85 | 100 |
| Butt-jointing track rails  | /A                | ○    | ○  | ○  | ○  | ○  | ○  | ○  | ○  | ○  | ○  | ○  | ○   |
| Opposite reference surfaces arrangement                          | /D                | ○    | ○  | ○  | ○  | ○  | ○  | ○  | ○  | ○  | ○  | ○  | ○   |
| Specified rail mounting hole positions                           | /E                | ○    | ○  | ○  | ○  | ○  | ○  | ○  | ○  | ○  | ○  | ○  | ○   |
| Caps for rail mounting holes                                     | /F                | —    | ○  | ○  | ○  | ○  | ○  | ○  | ○  | ○  | ○  | ○  | ○   |
| Changed pitch of slide unit middle mounting holes <sup>(1)</sup> | /GE               | —    | —  | ○  | ○  | ○  | ○  | ○  | ○  | ○  | —  | —  | ○   |
| Half pitch of track rail mounting holes                          | /HP               | —    | ○  | ○  | ○  | ○  | ○  | ○  | ○  | ○  | ○  | ○  | —   |
| Inspection sheet   | /I                | ○    | ○  | ○  | ○  | ○  | ○  | ○  | ○  | ○  | ○  | ○  | ○   |
| Female threads for bellows                                       | /JO               | —    | —  | ○  | ○  | ○  | ○  | ○  | ○  | ○  | ○  | ○  | —   |
| Black chrome surface treatment                                   | /LO               | —    | ○  | ○  | ○  | ○  | ○  | ○  | ○  | ○  | —  | —  | —   |
| Fluorine black chrome surface treatment                          | /LFO              | —    | ○  | ○  | ○  | ○  | ○  | ○  | ○  | ○  | —  | —  | —   |
| With track rail mounting bolts <sup>(2)</sup>                    | /MA               | —    | ○  | ○  | ○  | ○  | ○  | ○  | ○  | ○  | —  | —  | —   |
| Without track rail mounting bolts <sup>(3)</sup>                 | /MN               | ○    | ○  | ○  | ○  | ○  | ○  | ○  | ○  | ○  | ○  | ○  | ○   |
| No end seal <sup>(4)</sup>                                       | /N                | ○    | ○  | ○  | ○  | ○  | ○  | ○  | ○  | —  | —  | —  | —   |
| Rail cover plate for track rail <sup>(3)</sup>                   | /PS               | —    | —  | —  | —  | —  | —  | ○  | ○  | ○  | —  | —  | —   |
| C-Lube plates <sup>(3)</sup>                                     | /Q                | ○    | ○  | ○  | ○  | ○  | ○  | ○  | ○  | ○  | ○  | ○  | —   |
| C-Wiper <sup>(2) (5)</sup>                                       | /RCO              | —    | —  | —  | ○  | ○  | ○  | ○  | ○  | ○  | ○  | —  | —   |
| Inner seal <sup>(2)</sup>  | /UR               | —    | —  | —  | ○  | ○  | ○  | ○  | ○  | ○  | —  | —  | —   |
| Double end seals   | /VO               | —    | ○  | ○  | ○  | ○  | ○  | ○  | ○  | ○  | ○  | ○  | ○   |
| Matched sets to be used as an assembled group                    | /WO               | ○    | ○  | ○  | ○  | ○  | ○  | ○  | ○  | ○  | —  | —  | —   |
| Specified grease <sup>(3)</sup>                                  | /YO               | ○    | ○  | ○  | ○  | ○  | ○  | ○  | ○  | ○  | ○  | ○  | ○   |
| Scrapers   | /ZO               | —    | ○  | ○  | ○  | ○  | ○  | ○  | ○  | ○  | ○  | ○  | ○   |

Note<sup>(1)</sup> : Applicable to MX, MXG, MXH20 and MXHG20.

<sup>(2)</sup> : Applicable to MX series

<sup>(3)</sup> : Applicable to LRX series

<sup>(4)</sup> : Not applicable to low section frange and block type, and size 55 and 65.

<sup>(5)</sup> : /RC includes /UR and /Z as standard..

Table 5 Combination of special specifications

Table 5: A grid showing combinations of special specifications (D through Z) with various codes (A through Y). Dots indicate valid combinations, and dashes indicate invalid ones.

Remark 1 : The mark — indicates that this combination cannot be made.
2 : If the ● marks are required, please consult IKO.
3 : If a combination of special specifications is required, indicate the supplemental codes in alphabetical order.

Table 9 Pitch of slide unit middle mounting holes (Supplemental code /GE)

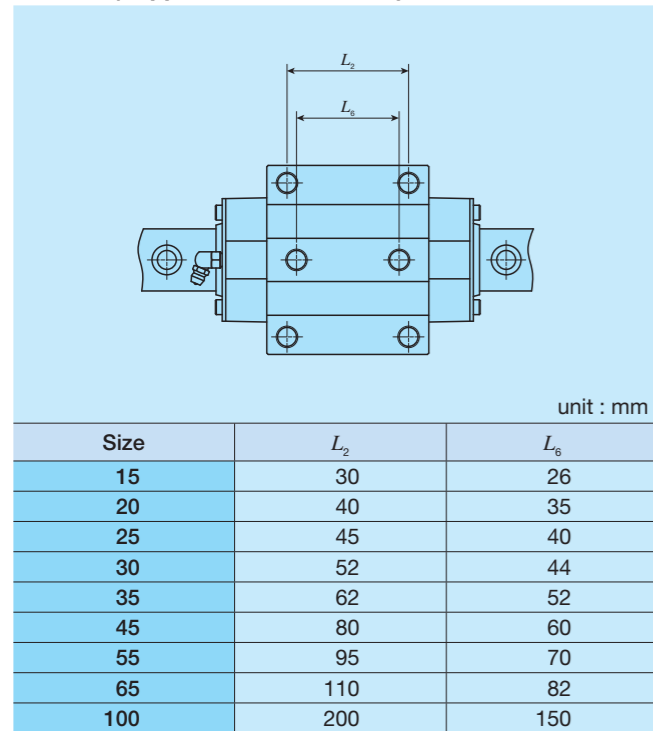


Table 10.1 Female threads for bellow mounting (For single slide unit /J, For assembled set /J /JJ)

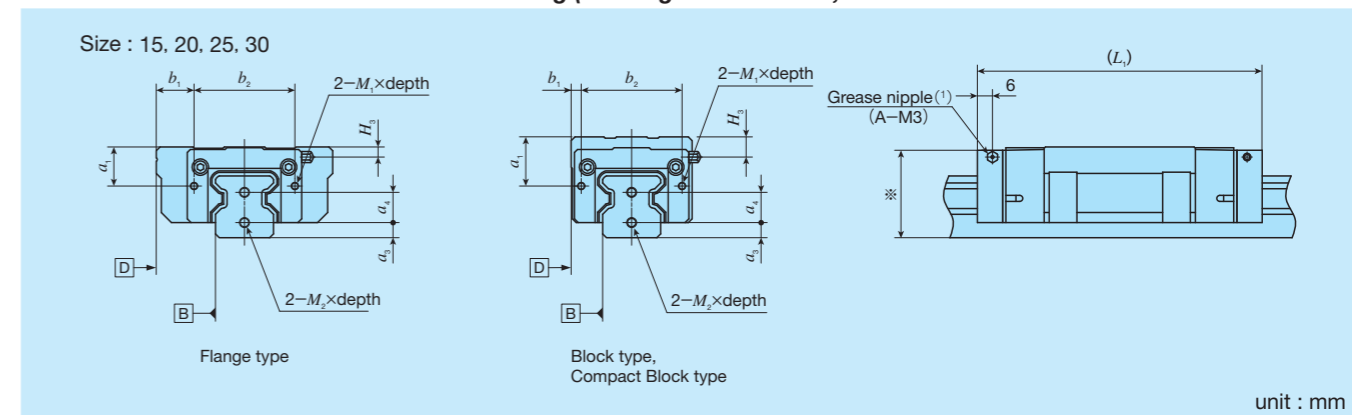


Table 10.1: A detailed table with columns for Model number, Slide unit (a1, b1, b2, M1 x depth, L1, H3), and Track rail (a3, a4, M2 x depth). It lists various model numbers from size 15 to 30.

Note(1) : The specification and mounting position of grease nipple are different from those of standard products. Grease nipple A-M4 is attached to size 30. For grease nipple specification, see Table 13.1 on page III-10.

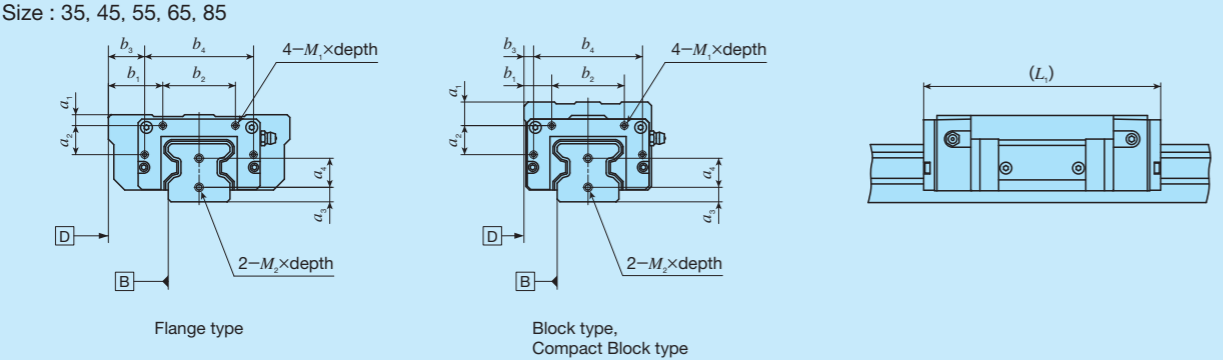
(2) : The values for the slide unit with female threads for bellow mounting at the both ends.

(3) : MXHC20, MXH20, MXHG20 and MXHL20 also can be used.

Remark 1 : Also applicable to same size of stainless steel products.

2 : For the size 15 and 20 of flange type and compact block type, the dimension a5 is higher than H dimension. For details, consult IKO for future information.

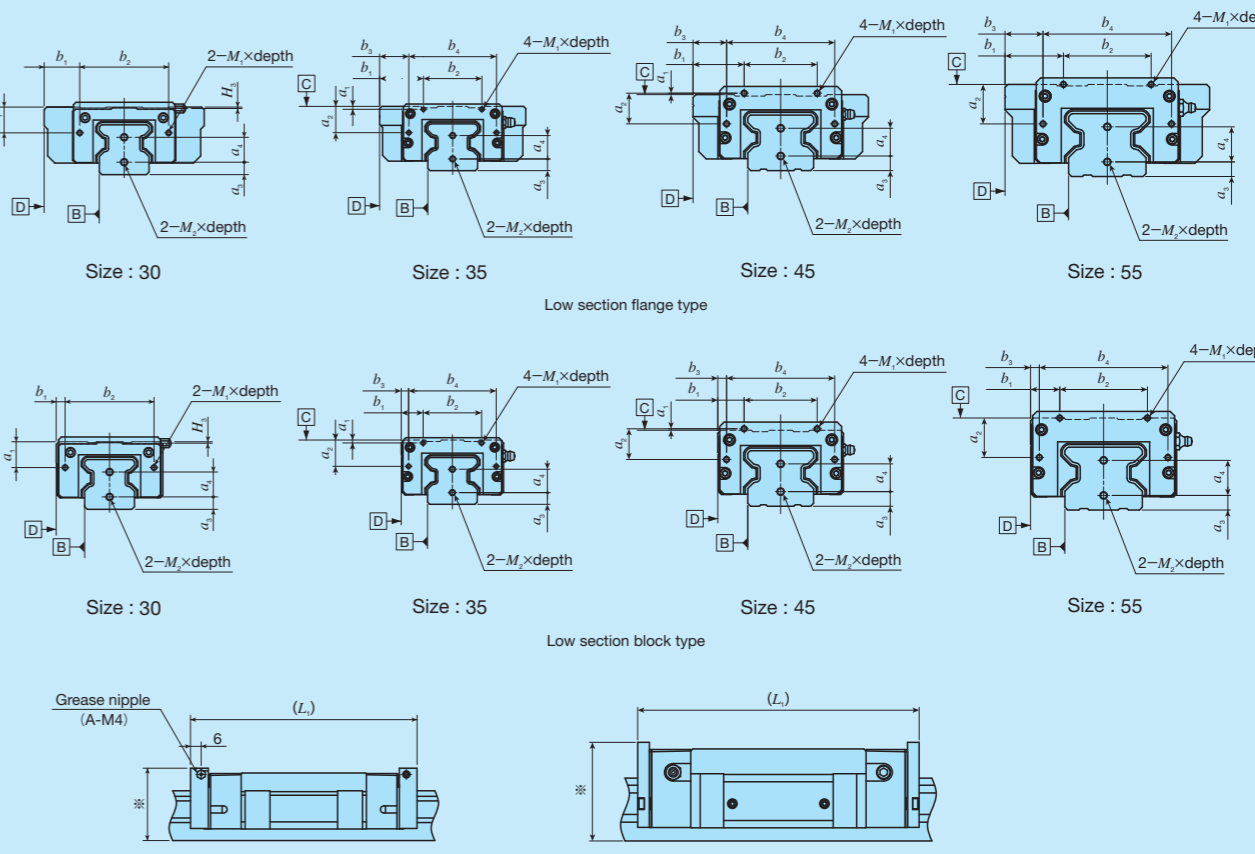
Table 10.2 Female threads for bellows (For single slide unit /J, For assembled set /J /JJ)



| Model number |          | Slide unit |       |       |       |       |         |                           |             | Track rail |         |                           |
|--------------|----------|------------|-------|-------|-------|-------|---------|---------------------------|-------------|------------|---------|---------------------------|
|              |          | $a_1$      | $a_2$ | $b_1$ | $b_2$ | $b_3$ | $b_4$   | $M_1 \times \text{depth}$ | $L_1^{(1)}$ | $a_3$      | $a_4$   | $M_2 \times \text{depth}$ |
| MXC 35       | LRXC 35  | 6          | 16    | 30    | 20    | 60    | M3 × 6  | 99                        | 8           | 16         | M4 × 8  |                           |
| MX 35        | LRX 35   |            |       |       |       |       |         | 131                       |             |            |         |                           |
| MXG 35       | LRXG 35  |            |       |       |       |       |         | 159                       |             |            |         |                           |
| MXL 35       | —        |            |       |       |       |       |         | 191                       |             |            |         |                           |
| MXDC 35      | LRXDC 35 | 13         | 15    | 40    | 5     | 60    | M3 × 6  | 99                        | 8           | 16         | M4 × 8  |                           |
| MXD 35       | LRXD 35  |            |       |       |       |       |         | 131                       |             |            |         |                           |
| MXDG 35      | LRXDG 35 |            |       |       |       |       |         | 159                       |             |            |         |                           |
| MXDL 35      | —        |            |       |       |       |       |         | 191                       |             |            |         |                           |
| MXS 35       | —        | 6          | 15    | 40    | 5     | 60    | M3 × 6  | 131                       | 8           | 16         | M4 × 8  |                           |
| MXSG 35      | —        |            |       |       |       |       |         | 159                       |             |            |         |                           |
| MXC 45       | LRXC 45  | 7          | 21    | 35    | 23    | 74    | M4 × 8  | 123                       | 10          | 19         | M5 × 10 |                           |
| MX 45        | LRX 45   |            |       |       |       |       |         | 163                       |             |            |         |                           |
| MXG 45       | LRXG 45  |            |       |       |       |       |         | 203                       |             |            |         |                           |
| MXL 45       | —        |            |       |       |       |       |         | 243                       |             |            |         |                           |
| MXDC 45      | LRXDC 45 | 17         | 18    | 50    | 6     | 74    | M4 × 8  | 123                       | 10          | 19         | M5 × 10 |                           |
| MXD 45       | LRXD 45  |            |       |       |       |       |         | 163                       |             |            |         |                           |
| MXDG 45      | LRXDG 45 |            |       |       |       |       |         | 203                       |             |            |         |                           |
| MXDL 45      | —        |            |       |       |       |       |         | 243                       |             |            |         |                           |
| MXS 45       | —        | 7          | 18    | 50    | 6     | 74    | M4 × 8  | 163                       | 10          | 19         | M5 × 10 |                           |
| MXSG 45      | —        |            |       |       |       |       |         | 203                       |             |            |         |                           |
| MXC 55       | LRXC 55  | 7          | 27    | 40    | 26    | 88    | M4 × 8  | 145                       | 10          | 24         | M5 × 10 |                           |
| MX 55        | LRX 55   |            |       |       |       |       |         | 193                       |             |            |         |                           |
| MXG 55       | LRXG 55  |            |       |       |       |       |         | 247                       |             |            |         |                           |
| MXL 55       | —        |            |       |       |       |       |         | 301                       |             |            |         |                           |
| MXDC 55      | LRXDC 55 | 17         | 20    | 60    | 6     | 88    | M4 × 8  | 145                       | 10          | 24         | M5 × 10 |                           |
| MXD 55       | LRXD 55  |            |       |       |       |       |         | 193                       |             |            |         |                           |
| MXDG 55      | LRXDG 55 |            |       |       |       |       |         | 247                       |             |            |         |                           |
| MXDL 55      | —        |            |       |       |       |       |         | 301                       |             |            |         |                           |
| MXS 55       | —        | 7          | 20    | 60    | 6     | 88    | M4 × 8  | 193                       | 10          | 24         | M5 × 10 |                           |
| MXSG 55      | —        |            |       |       |       |       |         | 247                       |             |            |         |                           |
| MXC 65       | LRXC 65  | 8.7        | 37    | 47.5  | 31    | 108   | M5 × 10 | 191                       | 14          | 28         | M6 × 12 |                           |
| MX 65        | LRX 65   |            |       |       |       |       |         | 255                       |             |            |         |                           |
| MXG 65       | LRXG 65  |            |       |       |       |       |         | 319                       |             |            |         |                           |
| MXL 65       | —        |            |       |       |       |       |         | 320                       |             |            |         |                           |
| MXDC 65      | LRXDC 65 | 8.7        | 37    | 75    | 9     | 108   | M5 × 10 | 391                       | 14          | 28         | M6 × 12 |                           |
| MXD 65       | LRXD 65  |            |       |       |       |       |         | 191                       |             |            |         |                           |
| MXDG 65      | LRXDG 65 |            |       |       |       |       |         | 192                       |             |            |         |                           |
| MXDL 65      | —        |            |       |       |       |       |         | 255                       |             |            |         |                           |
| —            | LRX 85   | 15         | 45    | 62.5  | 90    | 37.5  | 140     | 319                       | 14.5        | 38         | M6 × 12 |                           |
| —            | LRXG 85  |            |       |       |       |       |         | 320                       |             |            |         |                           |
| —            | LRXL 85  |            |       |       |       |       |         | 391                       |             |            |         |                           |
| —            | —        |            |       |       |       |       |         | 334                       |             |            |         |                           |
| —            | —        | —          | —     | —     | —     | —     | —       | 406                       | —           | —          | —       |                           |
| —            | —        | —          | —     | —     | —     | —     | —       | 505                       | —           | —          | —       |                           |

Note<sup>(1)</sup> : The values for the slide unit with female threads for bellow mounting at the both ends.

Table 10.3 Female threads for bellow mounting (For single slide unit /J, For assembled set /J /JJ)



| Model number |          | Slide unit |       |       |       |       |        |                           |             | Track rail |       |         |                           |
|--------------|----------|------------|-------|-------|-------|-------|--------|---------------------------|-------------|------------|-------|---------|---------------------------|
|              |          | $a_1$      | $a_2$ | $b_1$ | $b_2$ | $b_3$ | $b_4$  | $M_1 \times \text{depth}$ | $L_1^{(2)}$ | $H_3$      | $a_3$ | $a_4$   | $M_2 \times \text{depth}$ |
| MXN 30       | MXNG 30  | 14.5       | —     | 20    | 50    | —     | —      | M3 × 6                    | 128         | 0.8        | 7     | 14      | M4 × 8                    |
| MXNL 30      | MXNSG 30 |            |       |       |       |       |        |                           | 149         |            |       |         |                           |
| MXNS 30      | MXNSL 30 |            |       |       |       |       |        |                           | 177         |            |       |         |                           |
| MXNSG 30     | MXNSL 30 |            |       |       |       |       |        |                           | 128         |            |       |         |                           |
| MXNSL 30     | MXNSL 30 |            |       |       |       |       |        |                           | 149         |            |       |         |                           |
| MXN 35       | MXNG 35  | 2          | 16    | 30    | 40    | 60    | M3 × 6 | 131                       | —           | 8          | 16    | M4 × 8  |                           |
| MXNL 35      | MXNSG 35 |            |       |       |       |       |        | 159                       |             |            |       |         |                           |
| MXNS 35      | MXNSL 35 |            |       |       |       |       |        | 191                       |             |            |       |         |                           |
| MXNSG 35     | MXNSL 35 |            |       |       |       |       |        | 131                       |             |            |       |         |                           |
| MXNSL 35     | MXNSL 35 |            |       |       |       |       |        | 159                       |             |            |       |         |                           |
| MXN 45       | MXNG 45  | 1          | 21    | 35    | 50    | 74    | M4 × 8 | 163                       | —           | 10         | 19    | M5 × 10 |                           |
| MXNL 45      | MXNSG 45 |            |       |       |       |       |        | 203                       |             |            |       |         |                           |
| MXNS 45      | MXNSL 45 |            |       |       |       |       |        | 243                       |             |            |       |         |                           |
| MXNSG 45     | MXNSL 45 |            |       |       |       |       |        | 163                       |             |            |       |         |                           |
| MXNSL 45     | MXNSL 45 |            |       |       |       |       |        | 203                       |             |            |       |         |                           |
| MXN 55       | MXNG 55  | 0          | 27    | 40    | 60    | 88    | M4 × 8 | 193                       | —           | 10         | 24    | M5 × 10 |                           |
| MXNL 55      | MXNSG 55 |            |       |       |       |       |        | 247                       |             |            |       |         |                           |
| MXNS 55      | MXNSL 55 |            |       |       |       |       |        | 301                       |             |            |       |         |                           |
| MXNSG 55     | MXNSL 55 |            |       |       |       |       |        | 193                       |             |            |       |         |                           |
| MXNSL 55     | MXNSL 55 |            |       |       |       |       |        | 247                       |             |            |       |         |                           |

Note<sup>(1)</sup> : Values  $a_1$  are the dimension between C-surface (upper surface of slide unit) and the center of female thread.

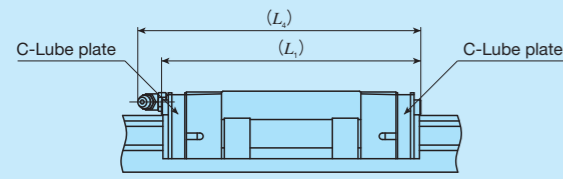
<sup>(2)</sup> : The values for the slide unit with female threads for bellow mounting at the both ends.

Remark : The dimension  $a_5$  is higher than  $H$  dimension. For details, consult IKO for future information.



Table 11.1 Slide unit with C-Lube plates (Supplemental code /Q)

Size : 10, 12, 15, 20, 25, 30



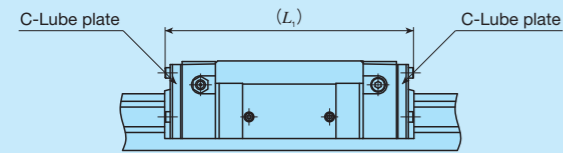
unit : mm

| Model number | $L_1$ | $L_2$ |
|--------------|-------|-------|
| LRXD 10...SL | 43.5  | —     |
| LRXC 12      | 47    | 50    |
| LRX 12       | 57    | 60    |
| LRXG 12      | 68    | 71    |
| LRXC 15      | 63    | 64    |
| LRX 15       | 79    | 80    |
| LRXG 15      | 95    | 96    |
| LRXC 20      | 76    | 84    |
| LRX 20       | 96    | 104   |
| LRXG 20      | 116   | 124   |
| LRXC 25      | 85    | 93    |
| LRX 25       | 109   | 117   |
| LRXG 25      | 124   | 132   |
| LRXC 30      | 96    | 107   |
| LRX 30       | 124   | 135   |
| LRXG 30      | 145   | 156   |

Remark 1 : The values for the slide unit with C-Wipers at both ends.  
 2 : The table shows representative model numbers only and is also applicable to all models in the same size..

Table 11.2 Slide unit with C-Lube plates (Supplemental code /Q)

Size : 35, 45, 55, 65, 85



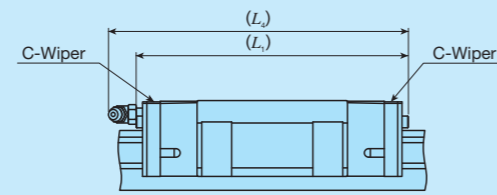
unit : mm

| Model number | $L_1$ |
|--------------|-------|
| LRXC 35      | 103   |
| LRX 35       | 135   |
| LRXG 35      | 163   |
| LRXC 45      | 127   |
| LRX 45       | 167   |
| LRXG 45      | 207   |
| LRXC 55      | 149   |
| LRX 55       | 197   |
| LRXG 55      | 251   |
| LRXC 65      | 198   |
| LRX 65       | 262   |
| LRXG 65      | 326   |
| LRX 85       | 341   |
| LRXG 85      | 413   |
| LRXL 85      | 512   |

Remark 1 : The values for the slide unit with C-Wipers at both ends.  
 2 : The table shows representative model numbers only and is also applicable to all models in the same size..

Table 12.1 Slide unit with C-Wipers (Supplemental code /RC /RCC)

Size : 20, 25, 30



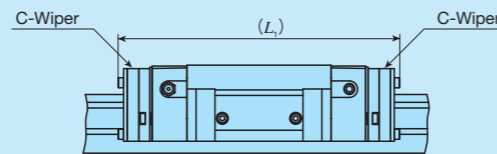
unit : mm

| Model number | $L_1$ | $L_2$ |
|--------------|-------|-------|
| MXC 20       | 80    | 90    |
| MX 20        | 100   | 110   |
| MXG 20       | 120   | 130   |
| MXL 20       | 142   | 153   |
| MXC 25       | 89    | 99    |
| MX 25        | 113   | 123   |
| MXG 25       | 128   | 138   |
| MXL 25       | 152   | 162   |
| MXC 30       | 100   | 113   |
| MX 30        | 128   | 141   |
| MXN 30       |       | 138   |
| MXG 30       |       | 162   |
| MXNG 30      | 149   | 159   |
| MXL 30       |       | 190   |
| MXNL 30      | 177   | 187   |

Remark 1 : The values for the slide unit with C-Wipers at both ends.  
 2 : The table shows representative model numbers only and is also applicable to all models in the same size..

Table 12.2 Slide unit with C-Wipers (Supplemental code /RC /RCC)

Size : 35, 45, 55, 65



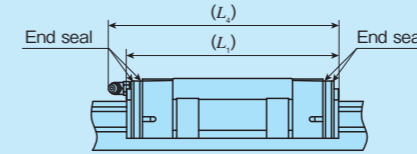
unit : mm

| Model number | $L_1$ |
|--------------|-------|
| MXC 35       | 123   |
| MX 35        | 155   |
| MXG 35       | 183   |
| MXL 35       | 215   |
| MXC 45       | 149   |
| MX 45        | 189   |
| MXG 45       | 229   |
| MXL 45       | 269   |
| MXC 55       | 172   |
| MX 55        | 220   |
| MXG 55       | 274   |
| MXL 55       | 328   |
| MXC 65       | 223   |
| MX 65        | 287   |
| MXG 65       | 351   |
| MXL 65       | 423   |

Remark 1 : The values for the slide unit with C-Wipers at both ends.  
 2 : The table shows representative model numbers only and is also applicable to all models in the same size.

表13.1 Slide unit with double end seals (Supplemental code /V, /VV)

Size : 12, 15, 20, 25, 30



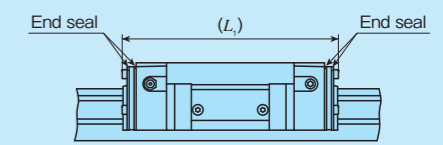
unit : mm

| Model number | $L_1$ | $L_2$ |
|--------------|-------|-------|
| MXC 12       | 49    | 52    |
| LRXC 12      | 44    | 46    |
| MX 12        | 58    | 61    |
| LRX 12       | 54    | 57    |
| MXG 12       | 70    | 72    |
| LRXG 12      | 65    | 67    |
| MXC 15       | 58    | 60    |
| MX 15        | 74    | 76    |
| MXG 15       | 90    | 92    |
| MXC 20       | 73    | 83    |
| MX 20        | 93    | 103   |
| MXG 20       | 113   | 123   |
| MXL 20       | —     | 145   |
| MXC 25       | 83    | 92    |
| MX 25        | 107   | 116   |
| MXG 25       | 122   | 131   |
| MXL 25       | —     | 155   |
| MXC 30       | 93    | 106   |
| MX 30        | 121   | 134   |
| MXN 30       | —     | 131   |
| MXG 30       | 142   | 155   |
| MXNG 30      | —     | 152   |
| MXL 30       | —     | 183   |
| MXNL 30      | 170   | 180   |

Remark 1 : The values for the slide unit with double end seals at both ends.  
 2 : The table shows representative model numbers only and is also applicable to all models in the same size.

表13.2 Slide unit with double end seals (Supplemental code /V, /VV)

Size : 35, 45, 55, 65, 85, 100



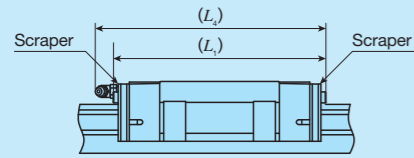
unit : mm

| Model number | $L_1$ |
|--------------|-------|
| MXC 35       | 101   |
| MX 35        | 133   |
| MXG 35       | 161   |
| MXL 35       | —     |
| MXC 45       | 127   |
| MX 45        | 167   |
| MXG 45       | 207   |
| MXL 45       | —     |
| MXC 55       | 149   |
| MX 55        | 197   |
| MXG 55       | 251   |
| MXL 55       | —     |
| MXC 65       | 192   |
| LRXC 65      | 193   |
| MX 65        | 256   |
| LRX 65       | 257   |
| MXG 65       | 320   |
| LRXG 65      | 321   |
| MXL 65       | —     |
| —            | 392   |
| —            | 338   |
| —            | 410   |
| —            | 509   |
| —            | 376   |

Remark 1 : The values for the slide unit with double end seals at both ends.  
 2 : The table shows representative model numbers only and is also applicable to all models in the same size.

**Table 14.1 Slide unit with scrapers**  
(Supplemental code /Z, /ZZ)

Size : 12, 15, 20, 25, 30



unit : mm

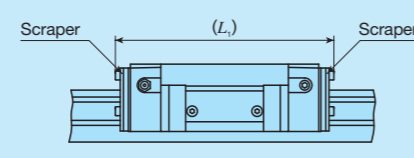
| Model number |         | $L_1$ | $L_4$ |
|--------------|---------|-------|-------|
| MXC 12       |         | 50    | 53    |
|              | LRXC 12 | 45    | 48    |
| MX 12        |         | 60    | 63    |
|              | LRX 12  | 56    | 58    |
| MXG 12       |         | 71    | 74    |
|              | LRXG 12 | 66    | 69    |
| MXC 15       | LRXC 15 | 60    | 61    |
| MX 15        | LRX 15  | 76    | 77    |
| MXG 15       | LRXG 15 | 92    | 93    |
| MXC 20       | LRXC 20 | 74    | 83    |
| MX 20        | LRX 20  | 94    | 103   |
| MXG 20       | LRXG 20 | 114   | 123   |
| MXL 20       | —       | 137   | 146   |
| MXC 25       | LRXC 25 | 85    | 93    |
| MX 25        | LRX 25  | 109   | 117   |
| MXG 25       | LRXG 25 | 124   | 132   |
| MXL 25       | —       | 148   | 156   |
| MXC 30       | LRXC 30 | 96    | 107   |
| MX 30        | LRX 30  | 124   | 135   |
| MXN 30       | —       |       | 132   |
| MXG 30       | LRXG 30 | 145   | 156   |
| MXNG 30      | —       |       | 153   |
| MXL 30       | —       | 173   | 184   |
| MXNL 30      | —       |       | 181   |

Remark 1 : The values are the slide unit lengths with scrapers at both ends.

2 : The table shows representative model numbers and is also applicable to all models in the same size of MX series.

**Table 14.2 Slide unit with scrapers**  
(Supplemental code /Z, /ZZ)

Size : 35, 45, 55, 65, 85, 100



unit : mm

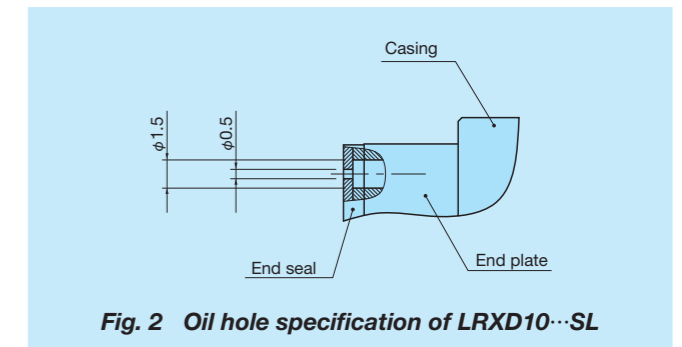
| Model number |          |  | $L_1$ |
|--------------|----------|--|-------|
| MXC 35       | LRXC 35  |  | 103   |
| MX 35        | LRX 35   |  | 135   |
| MXG 35       | LRXG 35  |  | 163   |
| MXL 35       | —        |  | 195   |
| MXC 45       | LRXC 45  |  | 129   |
| MX 45        | LRX 45   |  | 169   |
| MXG 45       | LRXG 45  |  | 209   |
| MXL 45       | —        |  | 249   |
| MXC 55       | LRXC 55  |  | 151   |
| MX 55        | LRX 55   |  | 199   |
| MXG 55       | LRXG 55  |  | 253   |
| MXL 55       | —        |  | 305   |
| MXC 65       | LRXC 65  |  | 194   |
| MX 65        | LRX 65   |  | 258   |
| MXG 65       | LRXG 65  |  | 322   |
| MXL 65       | —        |  | 392   |
| —            | LRX 85   |  | 339   |
| —            | LRXG 85  |  | 411   |
| —            | LRXL 85  |  | 510   |
| —            | LRXG 100 |  | 378   |

Remark 1 : The values are the slide unit lengths with scrapers at both ends.

2 : The table shows representative model numbers and is also applicable to all models in the same size of MX series.

## Lubrication

Lithium-soap base grease (ALVANIA grease EP 2: SHELL) is pre-packed in MX and LRX series slide units. In MX, C-Lube (Capillary sleeve) a component part is placed in the ball recirculation path, thereby extending the re-lubrication (greasing) interval time and maintenance work for a long period. MX and LRX series are provided with grease nipple shown in Table 15. Supply nozzles matching the size of grease nipple are also available. For these parts for lubrication, consult **IKO** for further information.



**Fig. 2 Oil hole specification of LRXD10...SL**

**Table 15 Parts for lubrication**

| Size                  | Grease nipple <sup>(1)</sup> | Applicable supply nozzle           | Nominal size of female threads for piping |
|-----------------------|------------------------------|------------------------------------|---|
| 10                    | Oil hole                     | Mini-grease injector               | —   |
| 12                    | A-M3                         | A-5120V A-5240V                    | —   |
| 15 <sup>(2)</sup>     | A-M4                         | B-5120V B-5240V                    | M4  |
| 20 <sup>(2)</sup>     | B-M4                         | A-8120V                            |   |
| 25 <sup>(2)</sup>     |                              | B-8120V                            |   |
| 30 <sup>(3) (4)</sup> | B-M6                         | Grease gun available on the market | M6  |
| 35 <sup>(5)</sup>     | JIS 1 type                   |                                    | PT1/8                                     |
| 45 <sup>(6)</sup>     | JIS 2 type                   |                                    |   |
| 55                    |                              |                                    |   |
| 65                    |                              |                                    |   |
| 85                    |                              |                                    |   |
| 100                   | A-PT1/4                      |                                    | PT1/4                                     |

Note<sup>(1)</sup> : See Table 13.1, 13.2 on Page III-10 for specifications of grease nipples.

<sup>(2)</sup> : The grease nipple type is A-M3 when female threads for bellows (supplemental code of "/J") are specified.

<sup>(3)</sup> : The grease nipple type is A-M4 when female threads for bellows (supplemental code of "/J") are specified.

<sup>(4)</sup> : The grease nipple type of the MXN30 slide unit is B-M4. The grease nipple type is A-M4 when female threads for bellows (supplemental code of "/J") are specified.

<sup>(5)</sup> : The grease nipple mounting screw of the MXN35 slide unit is made smaller along the movement of the slide unit than in the traverse direction. Consult **IKO** when mounting the grease nipple along the movement of the slide unit.

<sup>(6)</sup> : The grease nipple type of the MXN45 slide unit is JIS 1.

# Dust Protection

C-Lube Linear Roller Way Super MX is protected from dust by special rubber seals. But, if large amount of fine contaminants are present, or if large particles of foreign matters such as dust or chips may fall on the track rail, it is recommended to provide protective covers such as bellows for the entire linear motion mechanism. Bellows to match the dimensions of C-Lube Linear Way Super MX are optionally available. They are easy to mount and highly effective for dust protection. If required, consult .

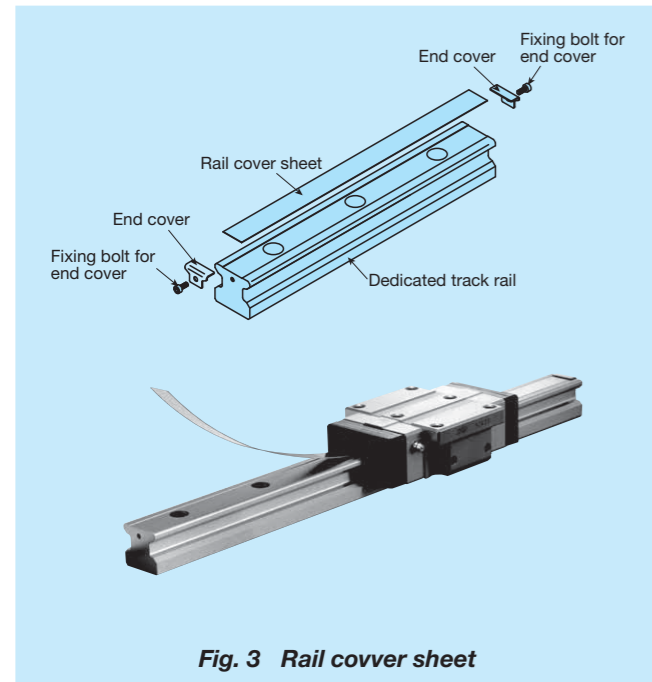


Fig. 3 Rail cover sheet

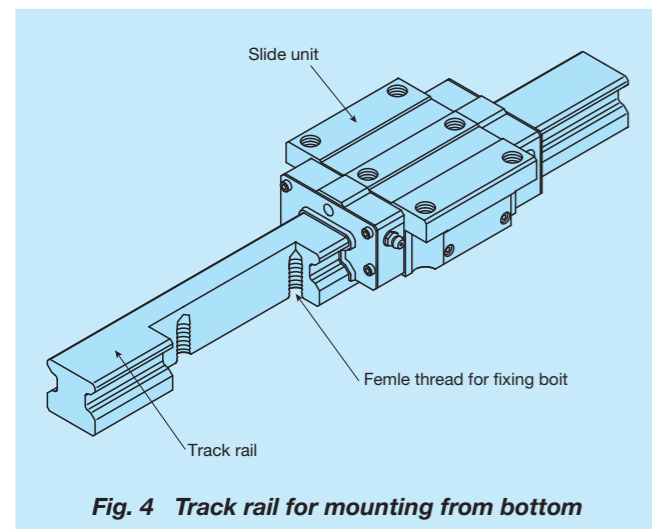


Fig. 4 Track rail for mounting from bottom

# Precautions for Use

**①Mounting surface, reference mounting surface, and general** Dedicated bellows are available to MX and LRX series slide units. They are easy to be mounted and have a great dust-proof effect. Consult IKO for further information.

IKO also provide cover tape (see Fig. 5) to cover the mounting holes of the track rail and top-mounted track rails (see Fig. 6) having no mounting holes on their top surfaces. The reference mounting surface of the track rail is on the upper side (in the arrow direction) when the IKO mark is normally viewed on the top of the track rail.

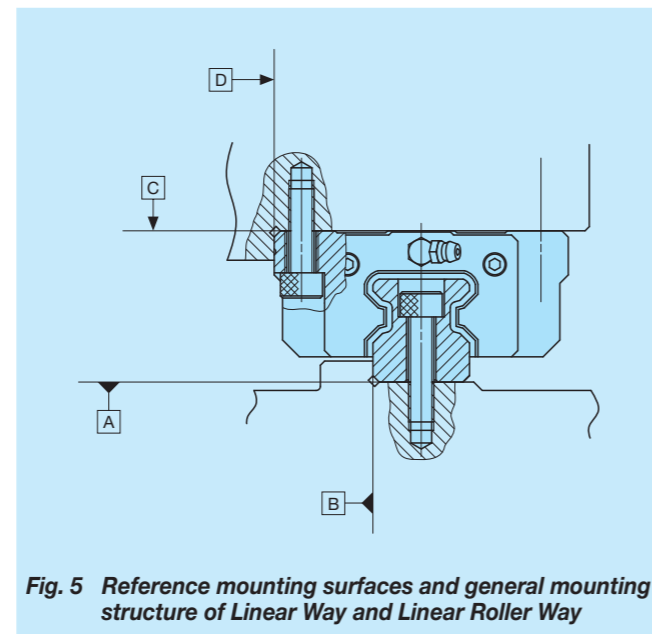


Fig. 5 Reference mounting surfaces and general mounting structure of Linear Way and Linear Roller Way

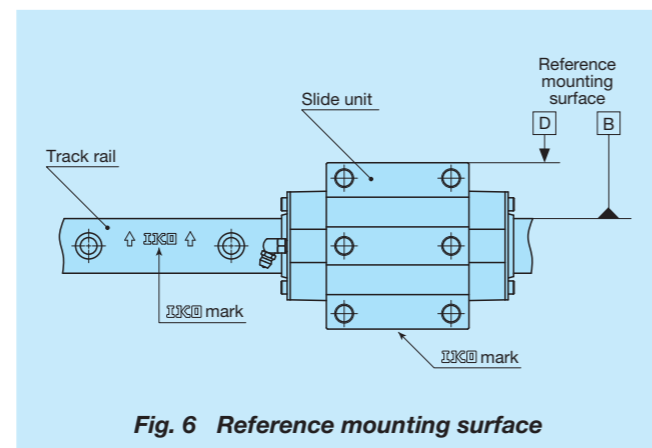


Fig. 6 Reference mounting surface

**②Mounting slide unit**

In the slide unit, mounting holes are also prepared on the middle of slide unit (see Table 16.1 and 16.2) to support any direction of load and moment in good balance.

It is recommended to fix all mounting holes to have full performance of products.

For mounting slide unit of Compact block type and Low section block type, insertion depth shown in Table 16.1 and 16.2 is recommended to keep certain fixing strength.

Similarly, the penetration depth of the mounting holes in the center of the slide unit width should be equal to or less than the maximum penetration depth in the Table.

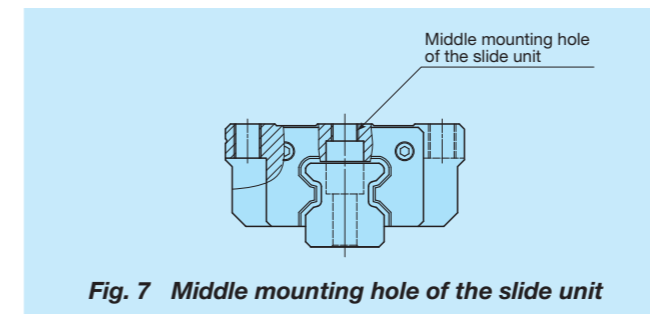


Fig. 7 Middle mounting hole of the slide unit

Table 16.1 Screwing depth of slide unit mounting holes for compact block type

| Model number |         | Recommended minimum depth |
|--------------|---------|---------------------------|
| MXS 15       | LRXS 15 | 4.5                       |
| MXS 20       | LRXS 20 | 5.5                       |
| MXS 25       | LRXS 25 | 7                         |
| MXS 30       | LRXS 30 | 9                         |

Remark : The table shows representative model numbers and is also applicable to all models in the same size.

Table 16.2 Screwing depth of slide unit mounting holes for low section block type

| Model number |  | Recommended minimum depth |
|--------------|--|---------------------------|
| MXNS 30      |  | 8                         |
| MXNS 35      |  | 8.5                       |
| MXNS 45      |  | 10.5                      |
| MXNS 55      |  | 14                        |

Remark : The table shows representative model numbers and is also applicable to all models in the same size of low section block type.

**③Corner radius and shoulder height of reference mounting surfaces**

It is recommended to make a relieved fillet at the corner of the mating reference mounting surfaces as shown in Fig. 8. Otherwise, corner radius  $R$  is recommended shown in Table 17. Table 17 shows recommended shoulder heights and radius of the reference mounting surfaces.

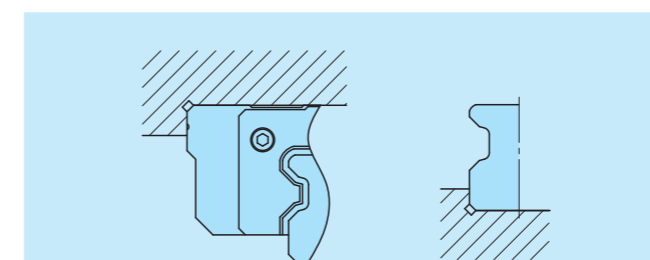


Fig. 8 Relieved radius shape of reference mounting surface

Table 17 Corner radius and shoulder height of reference mounting surfaces

| Size | Slide unit               | Track rail               | Relieved radius<br>$R$ (max.) |
|------|--------------------------|--------------------------|-------------------------------|
|      | Shoulder height<br>$h_1$ | Shoulder height<br>$h_2$ |                               |
| 10   | 4                        | 1                        | 0.3                           |
| 12   | 4                        | 2                        | 0.5                           |
| 15   | 4                        | 3                        | 0.5                           |
| 20   | 5                        | 4                        | 0.5                           |
| 25   | 6                        | 5                        | 1                             |
| 30   | 8                        | 5.5                      | 1                             |
| 35   | 8                        | 5.5                      | 1                             |
| 45   | 8                        | 7                        | 1.5                           |
| 55   | 10                       | 8                        | 1.5                           |
| 65   | 10                       | 10                       | 1.5                           |
| 85   | 14                       | 14                       | 2.5<br>(Slide unit)           |
|      |                          |                          | 1.5<br>(Track rail)           |
| 100  | 14                       | 13                       | 2.5                           |

unit : mm

**④Tightening torque of mounting bolts**

The standard torque values for Linear Way and Linear Roller Way mounting bolts are shown in Tables 18. When machines or equipment are subjected to severe vibration, shock, large fluctuating load, or moment load, the bolts should be tightened with a torque 1.2 to 1.5 times higher than the standard torque values shown.

When the mating member material is cast iron or aluminum, tightening torque should be lowered in accordance with the strength characteristics of the material.

Table 18 Tightening torque of mounting bolts of Linear Way and Linear Roller Way

| Bolt size  | Tightening torque N·m |                      |
|------------|-----------------------|----------------------|
|            | Carbon steel bolt     | Stainless steel bolt |
| M 2.6×0.45 | —                     | 0.70                 |
| M 3 ×0.5   | 1.7                   | 1.1                  |
| M 4 ×0.7   | 4.0                   | 2.5                  |
| M 5 ×0.8   | 7.9                   | 5.0                  |
| M 6 ×1     | 13.3                  | 8.5                  |
| M 8 ×1.25  | 32.0                  | 20.4                 |
| M10 ×1.5   | 62.7                  | —                    |
| M12 ×1.75  | 108                   | —                    |
| M14 ×2     | 172                   | —                    |
| M16 ×2     | 263                   | —                    |
| M20 ×2.5   | 512                   | —                    |
| M24 ×3     | 882                   | —                    |
| M30 ×3.5   | 1 750                 | —                    |

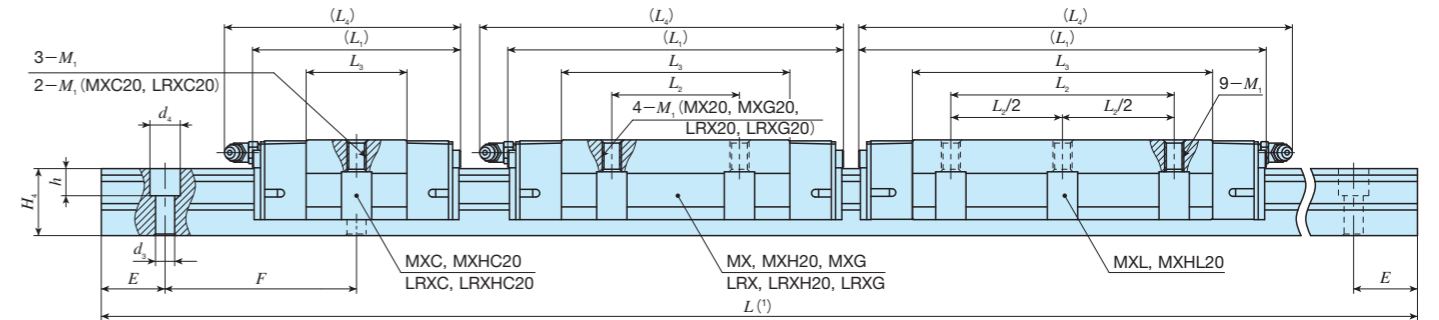
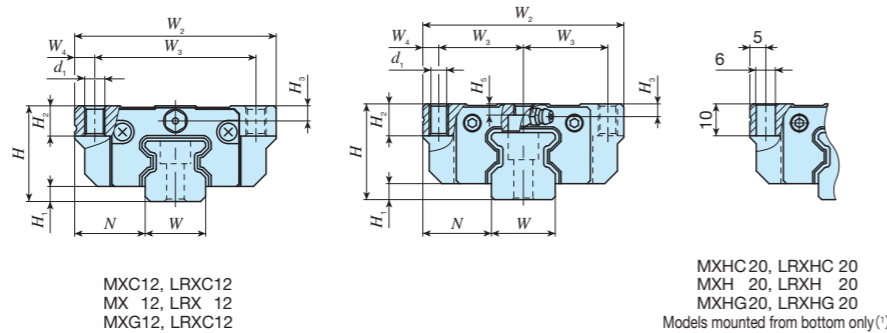
Remark 1 : The recommended tightening torque is for strength division 12.9 or property division A2-70.

2 : For the flange type slide units (MXC, MX, MXG, MXL, LFXC, LFX, and LFXG) of Sizes 15, 20, 25, 30, and 35, recommended tightening torques of mounting screws in the center mounting holes are 70 to 80% of the values in the Table.

# IKO C-Lube Linear Roller Way Super MX

Flange type mounted from top/bottom

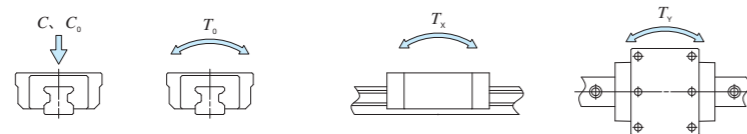
|       |          |    |    |    |     |
|-------|----------|----|----|----|-----|
| Shape | MX • LRX |    |    |    |     |
|       |          |    |    |    |     |
| Size  | 12       | 15 | 20 | 25 | 30  |
|       | 35       | 45 | 55 | 65 | 100 |



| Model number          | Interchangeable        | Mass (Ref.)   |                 | Dimensions of assembly mm |                |      | Dimensions of slide unit mm |                |                |                |                |                |                |                | Dimensions of track rail mm |                |                |                |   |                | Mounting bolt for track rail <sup>(3)</sup> | Basic dynamic load rating <sup>(4)</sup> | Basic static load rating <sup>(4)</sup> | Static moment rating <sup>(4)</sup> |                |   |        |        |                  |      |                |                |
|-----------------------|------------------------|---------------|-----------------|---------------------------|----------------|------|-----------------------------|----------------|----------------|----------------|----------------|----------------|----------------|----------------|-----------------------------|----------------|----------------|----------------|---|----------------|---|--|---|-------------------------------------|----------------|---|--------|--------|------------------|------|----------------|----------------|
|                       |                        | Slide unit kg | Track rail kg/m | H                         | H <sub>1</sub> | N    | W <sub>2</sub>              | W <sub>3</sub> | W <sub>4</sub> | L <sub>1</sub> | L <sub>2</sub> | L <sub>3</sub> | L <sub>4</sub> | d <sub>1</sub> | M <sub>1</sub>              | H <sub>2</sub> | H <sub>3</sub> | H <sub>5</sub> | W | H <sub>4</sub> |   |  |   | d <sub>3</sub>                      | d <sub>4</sub> | h | E      | F      | Bolt size×length | C    | C <sub>0</sub> | T <sub>0</sub> |
| MXC 12                | LRXC 12                | 0.058         |                 |                           |                |      |                             |                | 40             | -              | 15.8           | 44             |                |                |                             |                |                |                |   |                |   |  |   |                                     |                |   |        | 4 250  | 6 500            | 49.4 | 18.6           | 18.6           |
|                       |                        |               |                 |                           |                |      |                             |                | 37             |                | 14.8           | 40             |                |                |                             |                |                |                |   |                |   |  |   |                                     |                |   |        | 3 900  | 6 090            | 46.3 | 16.3           | 16.3           |
| MX 12                 | LRX 12                 | 0.092         | 0.92            | 19                        | 3              | 14   | 40                          | 32             | 50             |                | 25.4           | 53             |                |                |                             |                |                |                |   |                |   |  |   |                                     |                |   | 6 120  | 10 400 | 79.1             | 45.8 | 45.8           |                |
|                       |                        |               |                 |                           |                |      |                             |                | 47             | 15             | 25.3           | 50             |                |                |                             |                |                |                |   |                |   |  |   |                                     |                |   |        | 5 890  |                  | 78.7 | 45.2           | 45.2           |
| MXG 12                | LRXG 12                | 0.13          |                 |                           |                |      |                             |                | 61             |                | 36.6           | 64             |                |                |                             |                |                |                |   |                |   |  |   |                                     |                |   |        | 8 120  | 15 000           | 114  | 92.7           | 92.7           |
|                       |                        |               |                 |                           |                |      |                             |                | 58             |                | 35.8           | 61             |                |                |                             |                |                |                |   |                |   |  |   |                                     |                |   |        | 7 710  | 14 600           | 111  | 88.6           | 88.6           |
| MXC 15                | LRXC 15                | 0.13          |                 |                           |                |      |                             |                | 52             | -              | 24             | 55             |                |                |                             |                |                |                |   |                |   |  |   |                                     |                |   |        | 7 730  | 12 000           | 113  | 50.6           | 50.6           |
|                       |                        |               |                 |                           |                |      |                             |                | 68             |                | 40             | 71             |                |                |                             |                |                |                |   |                |   |  |   |                                     |                |   |        | 11 500 | 20 000           | 188  | 136            | 136            |
| MX 15                 | LRX 15                 | 0.20          | 1.65            | 24                        | 4              | 16   | 47                          | 19             | 84             | 30             | 56             | 87             |                |                |                             |                |                |                |   |                |   |  |   |                                     |                |   | 14 900 | 28 000 | 263              | 262  | 262            |                |
|                       |                        |               |                 |                           |                |      |                             |                | 84             |                | 56             | 87             |                |                |                             |                |                |                |   |                |   |  |   |                                     |                |   |        | 14 900 | 28 000           | 263  | 1 590          | 1 590          |
| MXG 15                | LRXG 15                | 0.28          |                 |                           |                |      |                             |                | 66             | -              | 31.6           | 74             |                |                |                             |                |                |                |   |                |   |  |   |                                     |                |   |        | 16 100 | 26 400           | 341  | 150            | 150            |
|                       |                        |               |                 |                           |                |      |                             |                | 86             |                | 51.6           | 94             |                |                |                             |                |                |                |   |                |   |  |   |                                     |                |   |        | 23 400 | 42 700           | 550  | 379            | 379            |
| MXC 20 <sup>(2)</sup> | LRXC 20 <sup>(2)</sup> | 0.29          |                 |                           |                |      |                             |                | 106            |                | 71.6           | 114            |                |                |                             |                |                |                |   |                |   |  |   |                                     |                |   |        | 30 100 | 58 900           | 760  | 713            | 713            |
|                       |                        |               |                 |                           |                |      |                             |                | 128            | 70             | 94.1           | 137            |                |                |                             |                |                |                |   |                |   |  |   |                                     |                |   |        | 37 200 | 77 200           | 996  | 1 210          | 1 210          |
| MX 20 <sup>(2)</sup>  | LRX 20 <sup>(2)</sup>  | 0.44          | 2.73            | 30                        | 5              | 21.5 | 63                          | 26.5           |                | 40             |                |                |                |                |                             |                |                |                |   |                |   |  |   |                                     |                |   |        | 23 400 | 42 700           | 550  | 2 520          | 2 520          |
|                       |                        |               |                 |                           |                |      |                             |                | 106            |                | 71.6           | 114            |                |                |                             |                |                |                |   |                |   |  |   |                                     |                |   |        | 30 100 | 58 900           | 760  | 4 200          | 4 200          |
| MXG 20 <sup>(2)</sup> | LRXG 20 <sup>(2)</sup> | 0.61          |                 |                           |                |      |                             |                | 128            | 70             | 94.1           | 137            |                |                |                             |                |                |                |   |                |   |  |   |                                     |                |   |        | 37 200 | 77 200           | 996  | 6 560          | 6 560          |
| MXL 20 <sup>(2)</sup> | -                      | 0.80          |                 |                           |                |      |                             |                |                |                |                |                |                |                |                             |                |                |                |   |                |   |  |   |                                     |                |   |        |        |                  |      |                |                |

Note<sup>(1)</sup> : Track rail lengths are shown in Table 2.1 on page II-153 and Table 2.3 on page II-154.  
<sup>(2)</sup> : The can be mounted from top side only.  
 For mounting from bottom side, MXHC20, MXH20, MXHG20, MXHL20, LRXC20, LRXH20 and LRXHG20 can be used.  
<sup>(3)</sup> : The appended track rail mounting bolts are hexagon socket head bolts of JIS B 1176 or equivalent. In assembled set of MX series, track rail mounting bolt is not appended.  
<sup>(4)</sup> : The directions of basic dynamic load rating (C), basic static load rating (C<sub>0</sub>) and static moment rating (T<sub>0</sub>, T<sub>x</sub>, T<sub>y</sub>) are shown in the sketches below. The upper values in the T<sub>x</sub> and T<sub>y</sub> columns apply to one slide unit, and the lower values apply to two slide units in close contact.

Remark 1 : For grease nipple specifications, see Table 15 on page II-166.  
 2 : mounting thread hole for grease nipple is provided on the left and right end plates respectively.



### Example of identification number of assembled set

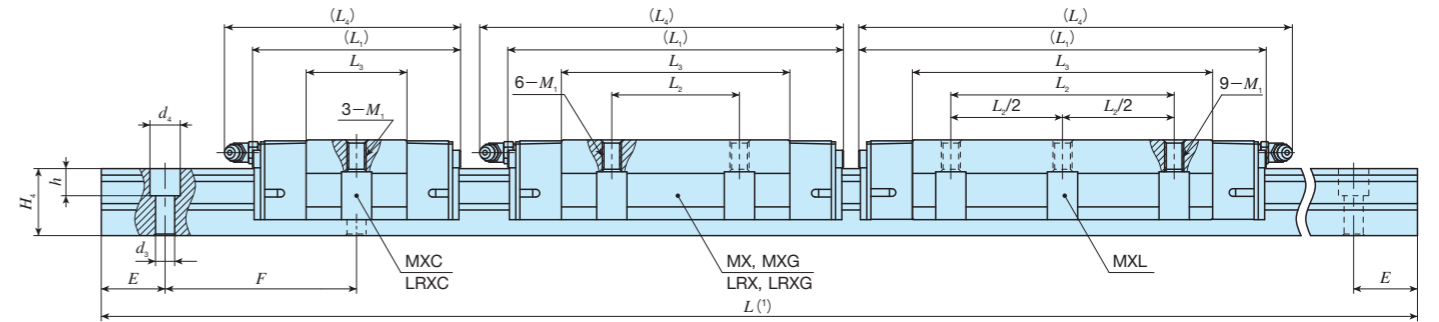
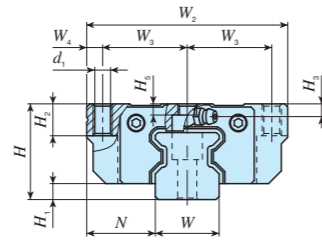
|            |           |           |                |              |                      |                   |
|------------|-----------|-----------|----------------|--------------|----------------------|-------------------|
| Model code | Size      | Part code | Preload symbol | Class symbol | Interchangeable code | Supplemental code |
| <b>MX</b>  | <b>G</b>  | <b>15</b> | <b>C2</b>      | <b>R360</b>  | <b>T1</b>            | <b>P</b>          |
| <b>S1</b>  | <b>/F</b> |           |                |              |                      |                   |

|  |   |            |                                    |                                |   |   |  |
|--|---|------------|------------------------------------|--------------------------------|---|---|--|
| ① Series   | ② Length of slide unit  | ③ Size     | ④ Number of slide unit (two units) | ⑤ Length of track rail (360mm) | ⑥ Preload amount  | ⑦ Accuracy class  | ⑧ Interchangeable code   |
| MX<br>LRX<br>Flange type mounted from top/bottom | C<br>No symbol<br>G<br>L<br>Short<br>Standard<br>High rigidity long<br>Extra high rigidity long | 12, 15, 20 | 2                                  |                                | No symbol<br>T1<br>T2<br>T3<br>Standard<br>Light preload<br>Medium preload<br>Heavy preload | H<br>P<br>SP<br>UP<br>High<br>Precision<br>Super precision<br>Ultra precision | S1<br>S2<br>No symbol<br>Interchangeable specification<br>Interchangeable specification<br>Non interchangeable specification |
|  |   |            |                                    |                                |   |   | ⑨ Special specification  |
|  |   |            |                                    |                                |   |   | A, D, E, F, GE, HP, I, J, L, LF<br>MA, MN, N, Q, RC, T, UR, V<br>W, Y, Z   |

# IKO C-Lube Linear Roller Way Super MX

Flange type mounted from top/bottom

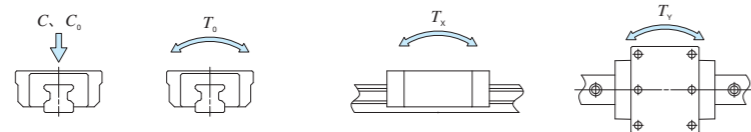
|       |          |    |    |    |    |
|-------|----------|----|----|----|----|
| Shape | MX • LRX |    |    |    |    |
|       |          |    |    |    |    |
| Size  | 12       | 15 | 20 | 25 | 30 |
|       | 35       | 45 | 55 | 65 | 85 |



| Model number | Interchangeable | Mass (Ref.)   |                 | Dimensions of assembly mm |                |     | Dimensions of slide unit mm |                |                |                |                |                |                | Dimensions of track rail mm |                |                |                |                |     | Mounting bolt for track rail <sup>(2)</sup><br>Bolt size×length | Basic dynamic load rating <sup>(3)</sup><br>C<br>N | Basic static load rating <sup>(3)</sup><br>C <sub>0</sub><br>N | Static moment rating <sup>(3)</sup> |                |                |    |       |                 |                       |                       |                       |              |
|--------------|-----------------|---------------|-----------------|---------------------------|----------------|-----|-----------------------------|----------------|----------------|----------------|----------------|----------------|----------------|-----------------------------|----------------|----------------|----------------|----------------|-----|---|--|--|-------------------------------------|----------------|----------------|----|-------|-----------------|-----------------------|-----------------------|-----------------------|--------------|
|              |                 | Slide unit kg | Track rail kg/m | H                         | H <sub>1</sub> | N   | W <sub>2</sub>              | W <sub>3</sub> | W <sub>4</sub> | L <sub>1</sub> | L <sub>2</sub> | L <sub>3</sub> | L <sub>4</sub> | d <sub>1</sub>              | M <sub>1</sub> | H <sub>2</sub> | H <sub>3</sub> | H <sub>5</sub> | W   |   |  |  | H <sub>4</sub>                      | d <sub>3</sub> | d <sub>4</sub> | h  | E     | F               | T <sub>0</sub><br>N·m | T <sub>x</sub><br>N·m | T <sub>y</sub><br>N·m |              |
| MXC 25       | LRXC 25         | ○             | 0.44            | 3.59                      | 36             | 6   | 23.5                        | 70             | 28.5           | 6.5            | 74             | —              | 36             | 83                          | 7              | M 8            | 10             | 5              | 5   | 23  | 24.5   | 7  | 11                                  | 9              | 30             | 60 | M6×25 | 21 600          | 33 800                | 500                   | 213<br>1 810          | 213<br>1 810 |
| MX 25        | LRX 25          | ○             | 0.67            |                           |                |     |                             |                |                |                | 98             | 45             | 60             | 107                         |                |                |                |                |     |   |  |  |                                     |                |                |    |       | 573<br>3 800    | 573<br>3 800          |                       |                       |              |
| MXG 25       | LRXG 25         | ○             | 0.84            |                           |                |     |                             |                |                |                | 113            | 70             | 75             | 122                         |                |                |                |                |     |   |  |  |                                     |                |                |    |       | 885<br>5 380    | 885<br>5 380          |                       |                       |              |
| MXL 25       | —               | —             | 1.08            |                           |                |     |                             |                |                |                | 137            | 70             | 99             | 146                         |                |                |                |                |     |   |  |  |                                     |                |                |    |       | 1 530<br>8 480  | 1 530<br>8 480        |                       |                       |              |
| MXC 30       | LRXC 30         | ○             | 0.78            | 5.01                      | 42             | 6.5 | 31                          | 90             | 36             | 9              | 85             | —              | 42.4           | 95                          | 8.5            | M10            | 10             | 6.5            | 5.5 | 28  | 28   | 9  | 14                                  | 12             | 40             | 80 | M8×28 | 29 200          | 44 600                | 808                   | 329<br>2 740          | 329<br>2 740 |
| MX 30        | LRX 30          | ○             | 1.20            |                           |                |     |                             |                |                |                | 113            | 52             | 70.4           | 123                         |                |                |                |                |     |   |  |  |                                     |                |                |    |       | 883<br>5 780    | 883<br>5 780          |                       |                       |              |
| MXG 30       | LRXG 30         | ○             | 1.58            |                           |                |     |                             |                |                |                | 134            | 80             | 91.4           | 144                         |                |                |                |                |     |   |  |  |                                     |                |                |    |       | 1 470<br>8 740  | 1 470<br>8 740        |                       |                       |              |
| MXL 30       | —               | —             | 2.03            |                           |                |     |                             |                |                |                | 162            | 80             | 119.4          | 172                         |                |                |                |                |     |   |  |  |                                     |                |                |    |       | 2 500<br>13 600 | 2 500<br>13 600       |                       |                       |              |

Note<sup>(1)</sup> : Track rail lengths are shown in Table 2.1 on page II-153 and Table 2.3 on page II-154.  
<sup>(2)</sup> : The appended track rail mounting bolts are hexagon socket head bolts of JIS B 1176 or equivalent. In assembled set of MX series, track rail mounting bolt is not appended.  
<sup>(3)</sup> : The directions of basic dynamic load rating (C), basic static load rating (C<sub>0</sub>) and static moment rating (T<sub>0</sub>, T<sub>x</sub>, T<sub>y</sub>) are shown in the sketches below. The upper values in the T<sub>x</sub> and T<sub>y</sub> columns apply to one slide unit, and the lower values apply to two slide units in close contact.

Remark 1 : For grease nipple specifications, see Table 15 on page II-166.  
 2 : A grease nipple mounting thread hole is provided on the left and right end plates respectively.



### Example of identification number of assembled set

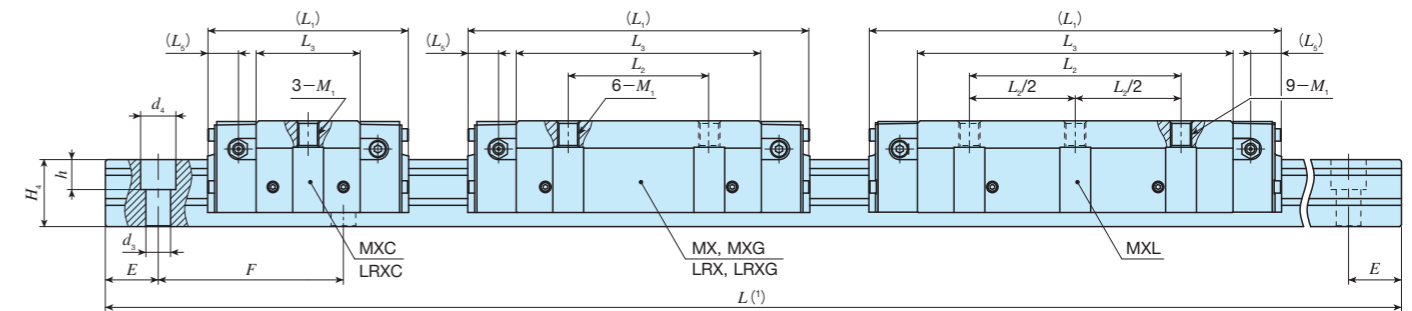
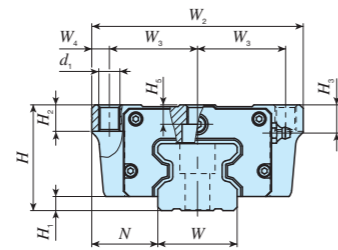
|            |          |           |                |              |                      |                   |           |           |
|------------|----------|-----------|----------------|--------------|----------------------|-------------------|-----------|-----------|
| Model code | Size     | Part code | Preload symbol | Class symbol | Interchangeable code | Supplemental code |           |           |
| <b>MX</b>  | <b>G</b> | <b>25</b> | <b>C2</b>      | <b>R840</b>  | <b>T1</b>            | <b>P</b>          | <b>S1</b> | <b>/F</b> |
| ①          | ②        | ③         | ④              | ⑤            | ⑥                    | ⑦                 | ⑧         | ⑨         |

|   |   |                  |                                    |                                |   |   |   |   |
|---|---|------------------|------------------------------------|--------------------------------|---|---|---|---|
| ① Series<br>MX Flange type mounted from top/bottom<br>LRX | ② Length of slide unit<br>C Short<br>No symbol Standard<br>G High rigidity long<br>L Extra high rigidity long | ③ Size<br>25, 30 | ④ Number of slide unit (two units) | ⑤ Length of track rail (840mm) | ⑥ Preload amount<br>No symbol Standard<br>T1 Light preload<br>T2 Medium preload<br>T3 Heavy preload | ⑦ Accuracy class<br>H High<br>P Precision<br>SP Super precision<br>UP Ultra precision | ⑧ Interchangeable code<br>S1 Interchangeable specification<br>S2 Interchangeable specification<br>No symbol Non interchangeable specification | ⑨ Special specification<br>A, D, E, F, GE, HP, I, J, L, LF<br>MA, MN, N, O, RC, T, UR, V<br>W, Y, Z |
|---|---|------------------|------------------------------------|--------------------------------|---|---|---|---|

# IKO C-Lube Linear Roller Way Super MX

Flange type mounted from top/bottom

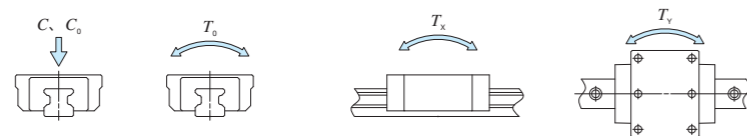
|       |          |    |    |    |     |
|-------|----------|----|----|----|-----|
| Shape | MX • LRX |    |    |    |     |
|       |          |    |    |    |     |
| Size  | 12       | 15 | 20 | 25 | 30  |
|       | 35       | 45 | 55 | 65 | 100 |



| Model number | Interchangeable | Mass (Ref.)   |                 | Dimensions of assembly mm |                |      | Dimensions of slide unit mm |                |                |                |                |                |                | Dimensions of track rail mm |                |                |                |                |    | Mounting bolt for track rail (2) | Basic dynamic load rating (3) | Basic static load rating (3) | Static moment rating (3) |                |                |        |         |         |                  |       |                  |
|--------------|-----------------|---------------|-----------------|---------------------------|----------------|------|-----------------------------|----------------|----------------|----------------|----------------|----------------|----------------|-----------------------------|----------------|----------------|----------------|----------------|----|----------------------------------|-------------------------------|------------------------------|--------------------------|----------------|----------------|--------|---------|---------|------------------|-------|------------------|
|              |                 | Slide unit kg | Track rail kg/m | H                         | H <sub>1</sub> | N    | W <sub>2</sub>              | W <sub>3</sub> | W <sub>4</sub> | L <sub>1</sub> | L <sub>2</sub> | L <sub>3</sub> | L <sub>5</sub> | d <sub>1</sub>              | M <sub>1</sub> | H <sub>2</sub> | H <sub>3</sub> | H <sub>5</sub> | W  |                                  |                               |                              | H <sub>4</sub>           | d <sub>3</sub> | d <sub>4</sub> | h      | E       | F       | Bolt size×length | C N   | C <sub>0</sub> N |
| MXC 35       | ○               | 1.13          | 6.88            | 48                        | 6.5            | 33   | 100                         | 41             | 9              | 92             | —              | 46.6           | 12.7           | 8.5                         | M10            | 13             | 13             | 7              | 34 | 32                               | 9                             | 14                           | 12                       | 40             | 80             | M 8×35 | 39 500  | 60 000  | 1 300            | 506   | 506              |
| LRXC 35      | ○               | 12.5          |                 |                           |                |      |                             |                |                | 12.7           | 12.5           | 78.6           | 3 950          |                             |                |                |                |                |    |                                  |                               |                              |                          |                |                |        | 8 470   | 8 470   |                  |       |                  |
| MX 35        | ○               | 1.76          |                 |                           |                |      |                             |                |                | 62             | 124            | 12.7           | 1 360          |                             |                |                |                |                |    |                                  |                               |                              |                          |                |                |        | 1 360   |         |                  |       |                  |
| LRX 35       | ○               | 12.5          |                 |                           |                |      |                             |                |                | 106.6          | 12.7           | 2 440          | 13 800         |                             |                |                |                |                |    |                                  |                               |                              |                          |                |                |        | 13 800  |         |                  |       |                  |
| MXG 35       | ○               | 2.41          | 10.8            | 60                        | 8              | 37.5 | 120                         | 50             | 10             | 152            | 100            | 138.6          | 12.7           | 10.5                        | M12            | 15             | 16             | 11             | 45 | 38                               | 14                            | 20                           | 17                       | 52.5           | 105            | M12×40 | 74 200  | 135 000 | 2 930            | 2 440 | 2 440            |
| LRXG 35      | ○               | 12.5          |                 |                           |                |      |                             |                |                | 184            | 4 060          | 21 300         | 21 300         |                             |                |                |                |                |    |                                  |                               |                              |                          |                |                |        |         |         |                  |       |                  |
| MXL 35       | —               | 3.00          |                 |                           |                |      |                             |                |                | 114            | 59             | 1 010          | 1 010          |                             |                |                |                |                |    |                                  |                               |                              |                          |                |                |        |         |         |                  |       |                  |
| LRXC 35      | ○               | 12.5          |                 |                           |                |      |                             |                |                | 154            | 80             | 99             | 2 700          |                             |                |                |                |                |    |                                  |                               |                              |                          |                |                |        | 2 700   |         |                  |       |                  |
| MXC 45       | ○               | 2.11          | 10.8            | 60                        | 8              | 37.5 | 120                         | 50             | 10             | 194            | 80             | 139            | 17.5           | 10.5                        | M12            | 15             | 16             | 11             | 45 | 38                               | 14                            | 20                           | 17                       | 52.5           | 105            | M12×40 | 124 000 | 223 000 | 6 200            | 5 220 | 5 220            |
| LRXC 45      | ○               | 2.11          |                 |                           |                |      |                             |                |                | 234            | 120            | 179            | 8 560          |                             |                |                |                |                |    |                                  |                               |                              |                          |                |                |        | 44 400  | 44 400  |                  |       |                  |
| MX 45        | ○               | 3.26          |                 |                           |                |      |                             |                |                | 154            | 80             | 99             | 16 800         |                             |                |                |                |                |    |                                  |                               |                              |                          |                |                |        | 16 800  |         |                  |       |                  |
| LRX 45       | ○               | 3.26          |                 |                           |                |      |                             |                |                | 194            | 80             | 139            | 29 000         |                             |                |                |                |                |    |                                  |                               |                              |                          |                |                |        | 29 000  |         |                  |       |                  |
| MXG 45       | ○               | 4.60          | 10.8            | 60                        | 8              | 37.5 | 120                         | 50             | 10             | 234            | 120            | 179            | 17.5           | 10.5                        | M12            | 15             | 16             | 11             | 45 | 38                               | 14                            | 20                           | 17                       | 52.5           | 105            | M12×40 | 151 000 | 287 000 | 7 980            | 8 560 | 8 560            |
| LRXG 45      | ○               | 4.60          |                 |                           |                |      |                             |                |                | 234            | 120            | 179            | 29 000         |                             |                |                |                |                |    |                                  |                               |                              |                          |                |                |        | 29 000  |         |                  |       |                  |
| MXL 45       | —               | 5.66          |                 |                           |                |      |                             |                |                | 154            | 80             | 99             | 16 800         |                             |                |                |                |                |    |                                  |                               |                              |                          |                |                |        | 16 800  |         |                  |       |                  |
| LRXC 45      | ○               | 2.11          |                 |                           |                |      |                             |                |                | 194            | 80             | 139            | 29 000         |                             |                |                |                |                |    |                                  |                               |                              |                          |                |                |        | 29 000  |         |                  |       |                  |

Note(1) : Track rail lengths are shown in Table 2.1 on page II-153 and Table 2.3 on page II-154.  
 (2) The appended track rail mounting bolts are hexagon socket head bolts of JIS B 1176 or equivalent. In assembled set of MX series, track rail mounting bolt is not appended.  
 (3) The directions of basic dynamic load rating (C), basic static load rating (C<sub>0</sub>) and static moment rating (T<sub>0</sub>, T<sub>x</sub>, T<sub>y</sub>) are shown in the sketches below. The upper values in the T<sub>x</sub> and T<sub>y</sub> columns apply to one slide unit, and the lower values apply to two slide units in close contact.

Remark 1 : For grease nipple specifications, see Table 15 on page II-166.  
 2 : A grease nipple mounting thread hole is provided on the left and right end plates respectively.



**Example of identification number of assembled set**

|            |           |           |                |              |                      |                   |
|------------|-----------|-----------|----------------|--------------|----------------------|-------------------|
| Model code | Size      | Part code | Preload symbol | Class symbol | Interchangeable code | Supplemental code |
| <b>MX</b>  | <b>G</b>  | <b>35</b> | <b>C2</b>      | <b>R1200</b> | <b>T2</b>            | <b>P</b>          |
| <b>S1</b>  | <b>/F</b> |           |                |              |                      |                   |

① Series: MX (Flange type mounted from top/bottom), LRX

② Length of slide unit: C (Short), No symbol (Standard), G (High rigidity long), L (Extra high rigidity long)

③ Size: 35, 45

④ Number of slide unit (two units):

⑤ Length of track rail (120mm):

⑥ Preload amount: No symbol (Standard), T1 (Light preload), T2 (Medium preload), T3 (Heavy preload)

⑦ Accuracy class: H (High), P (Precision), SP (Super precision), UP (Ultra precision)

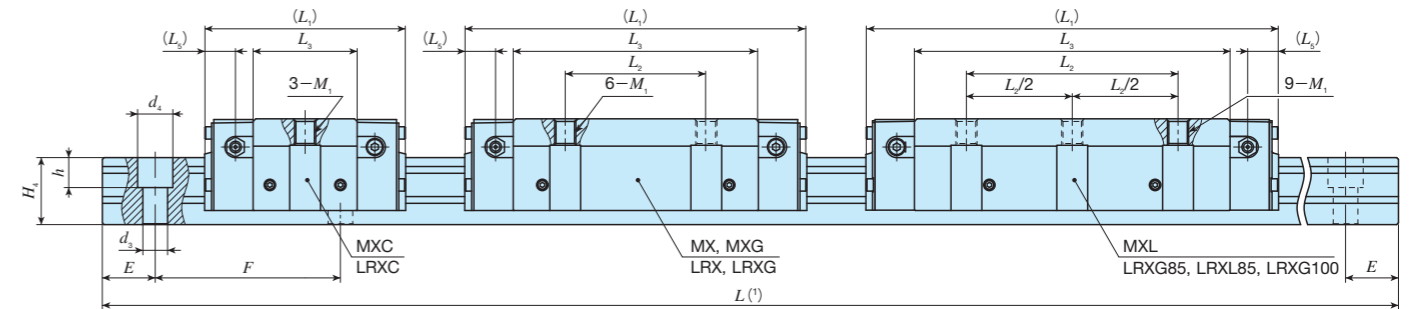
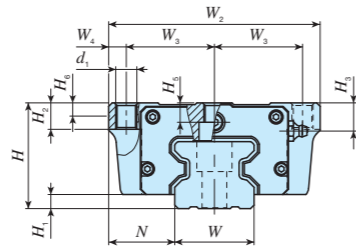
⑧ Interchangeable code: S1 (Interchangeable specification), S2 (Interchangeable specification), No symbol (Non interchangeable specification)

⑨ Special specification: A, D, E, F, GE, HP, I, J, L, LF, MA, MN, N, PS, Q, RC, T, UR, V, W, Y, Z

# IKO C-Lube Linear Roller Way Super MX

Flange type mounted from top/bottom

|       |          |    |    |    |    |
|-------|----------|----|----|----|----|
| Shape | MX • LRX |    |    |    |    |
|       |          |    |    |    |    |
| Size  | 12       | 15 | 20 | 25 | 30 |
|       | 35       | 45 | 55 | 65 | 85 |



| Model number | Interchangeable | Mass (Ref.)   |                 | Dimensions of assembly mm |                |    | Dimensions of slide unit mm |                |                |                |                |                |                | Dimensions of track rail mm |                |                |                |                |                | Mounting bolt for track rail <sup>(2)</sup><br>Bolt size x length | Basic dynamic load rating <sup>(3)</sup><br>C<br>N | Basic static load rating <sup>(3)</sup><br>C <sub>0</sub><br>N | Static moment rating <sup>(3)</sup> |                |                |                |     |        |         |                       |                       |                       |         |         |
|--------------|-----------------|---------------|-----------------|---------------------------|----------------|----|-----------------------------|----------------|----------------|----------------|----------------|----------------|----------------|-----------------------------|----------------|----------------|----------------|----------------|----------------|---|--|--|-------------------------------------|----------------|----------------|----------------|-----|--------|---------|-----------------------|-----------------------|-----------------------|---------|---------|
|              |                 | Slide unit kg | Track rail kg/m | H                         | H <sub>1</sub> | N  | W <sub>2</sub>              | W <sub>3</sub> | W <sub>4</sub> | L <sub>1</sub> | L <sub>2</sub> | L <sub>3</sub> | L <sub>5</sub> | d <sub>1</sub>              | M <sub>1</sub> | H <sub>2</sub> | H <sub>3</sub> | H <sub>5</sub> | H <sub>6</sub> |   |  |  | W                                   | H <sub>4</sub> | d <sub>3</sub> | d <sub>4</sub> | h   | E      | F       | T <sub>0</sub><br>N·m | T <sub>x</sub><br>N·m | T <sub>y</sub><br>N·m |         |         |
| MXC 55       | LRXC 55         | ○             | 3.49            | 14.1                      | 70             | 9  | 43.5                        | 140            | 58             | 12             | 136            | —              | 72             | 20                          | 12.5           | M14            | 17             | 16             | 14             | —   | 53   | 43   | 16                                  | 23             | 20             | 60             | 120 | M14×45 | 99 700  | 149 000               | 4 830                 | 1 880                 | 14 400  | 14 400  |
| MX 55        | LRX 55          | ○             | 5.42            |                           |                |    |                             |                |                |                | 184            | 95             | 120            |                             |                |                |                |                |                |   |  |  |                                     |                |                |                |     |        | 5 040   | 31 100                | 5 040                 |                       |         |         |
| MXG 55       | LRXG 55         | ○             | 7.93            |                           |                |    |                             |                |                |                | 238            | 150            | 174            |                             |                |                |                |                |                |   |  |  |                                     |                |                |                |     |        | 10 400  | 31 100                | 10 400                |                       |         |         |
| MXL 55       | —               | —             | 10.1            |                           |                |    |                             |                |                |                | 292            | 228            | 57 000         |                             |                |                |                |                |                |   |  |  |                                     |                |                |                |     |        | 17 700  | 17 700                | 57 000                |                       |         |         |
| MXC 65       | LRXC 65         | ○             | 7.18            | 22.6                      | 90             | 12 | 53.5                        | 170            | 71             | 14             | 180            | —              | 95             | 26.3                        | 14.5           | M16            | 23             | 18             | 18.5           | —   | 63   | 56   | 18                                  | 26             | 22             | 75             | 150 | M16×60 | 174 000 | 249 000               | 9 790                 | 4 200                 | 32 200  | 32 200  |
| MX 65        | LRX 65          | ○             | 11.5            |                           |                |    |                             |                |                |                | 244            | 110            | 159            | 26.3                        |                |                |                |                |                |   |  |  |                                     |                |                |                |     |        | 11 300  | 69 300                | 11 300                |                       |         |         |
| MXG 65       | LRXG 65         | ○             | 16.0            |                           |                |    |                             |                |                |                | 245            | 223            | 26.3           | 21 800                      |                |                |                |                |                |   |  |  |                                     |                |                |                |     |        | 120 000 | 21 800                |                       |                       |         |         |
| MXL 65       | —               | —             | 20.8            |                           |                |    |                             |                |                |                | 308            | 295            | 26.6           | 37 600                      |                |                |                |                |                |   |  |  |                                     |                |                |                |     |        | 193 000 | 37 600                |                       |                       |         |         |
| —            | LRX 85          | —             | 25.4            | 36.7                      | 110            | 16 | 65                          | 215            | 92.5           | 15             | 323            | 140            | 232            | 27.5                        | 17.8           | M20            | 35             | 22             | 25.5           | 20  | 85   | 67   | 26.5                                | 39             | 30             | 90             | 180 | M24×70 | 440 000 | 753 000               | 38 900                | 29 500                | 163 000 | 163 000 |
| —            | LRXG 85         | —             | 32.7            |                           |                |    |                             |                |                |                | 395            | 200            | 304            |                             |                |                |                |                |                |   |  |  |                                     |                |                |                |     |        | 50 000  | 257 000               | 50 000                |                       |         |         |
| —            | LRXL 85         | —             | 44.0            |                           |                |    |                             |                |                |                | 494            | 280            | 403            |                             |                |                |                |                |                |   |  |  |                                     |                |                |                |     |        | 87 000  | 422 000               | 87 000                |                       |         |         |
| —            | LRXG 100        | —             | 43.0            |                           |                |    |                             |                |                |                | 43.2           | 120            | 15             |                             |                |                |                |                |                |   |  |  |                                     |                |                |                |     |        | 75      | 250                   | 110                   | 15                    | 362     | 200     |

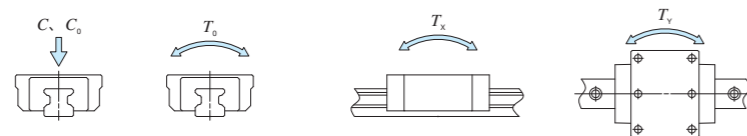
Note<sup>(1)</sup> : Track rail lengths are shown in Table 2.1 on page II-153 and Table 2.3 on page II-154.

<sup>(2)</sup> : The appended track rail mounting bolts are hexagon socket head bolts of JIS B 1176 or equivalent. In assembled set of MX series, track rail mounting bolt is not appended.

<sup>(3)</sup> : The directions of basic dynamic load rating (C), basic static load rating (C<sub>0</sub>) and static moment rating (T<sub>0</sub>, T<sub>x</sub>, T<sub>y</sub>) are shown in the sketches below. The upper values in the T<sub>x</sub> and T<sub>y</sub> columns apply to one slide unit, and the lower values apply to two slide units in close contact.

Remark 1 : For grease nipple specifications, see Table 15 on page II-166.

2 : Three female threaded holes for grease nipple are prepared on each end plate.



### Example of identification number of assembled set

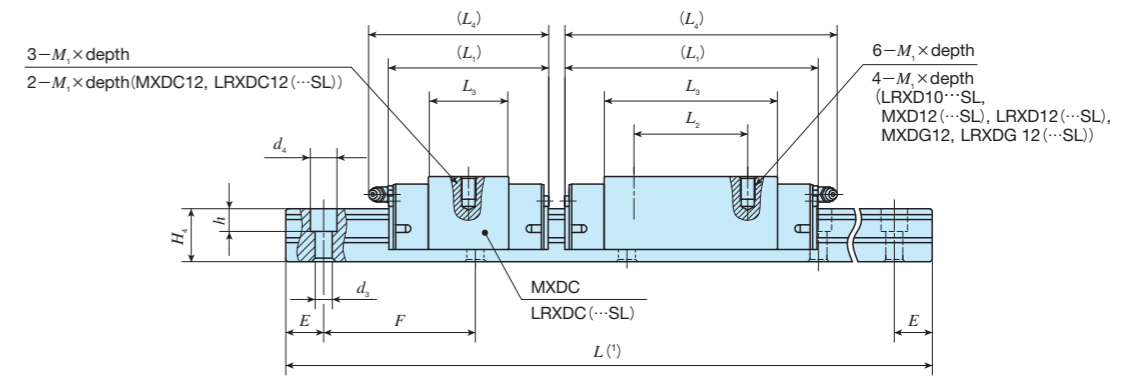
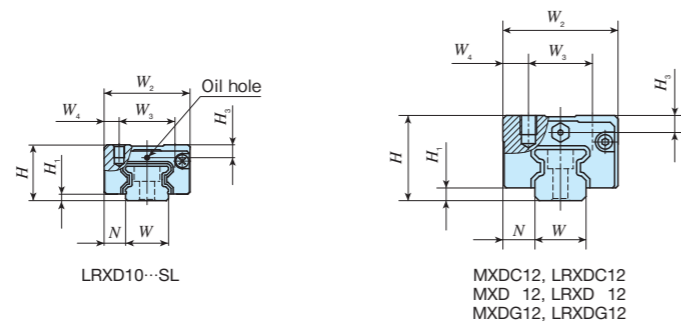
|            |           |           |                |              |                      |                   |
|------------|-----------|-----------|----------------|--------------|----------------------|-------------------|
| Model code | Size      | Part code | Preload symbol | Class symbol | Interchangeable code | Supplemental code |
| <b>MX</b>  | <b>G</b>  | <b>55</b> | <b>C2</b>      | <b>R3000</b> | <b>T2</b>            | <b>P</b>          |
| <b>S1</b>  | <b>/F</b> |           |                |              |                      |                   |

|   |   |                                   |                                    |                                 |   |   |   |  |
|---|---|-----------------------------------|------------------------------------|---------------------------------|---|---|---|--|
| ① Series<br>MX Flange type mounted from top/bottom<br>LRX | ② Length of slide unit<br>C Short<br>No symbol Standard<br>G High rigidity long<br>L Extra high rigidity long | ③ Size<br>35, 45, 55, 65, 85, 100 | ④ Number of slide unit (two units) | ⑤ Length of track rail (3000mm) | ⑥ Preload amount<br>No symbol Standard<br>T1 Light preload<br>T2 Medium preload<br>T3 Heavy preload | ⑦ Accuracy class<br>H High<br>P Precision<br>SP Super precision<br>UP Ultra precision | ⑧ Interchangeable code<br>S1 Interchangeable specification<br>S2 Interchangeable specification<br>No symbol Non interchangeable specification | ⑨ Special specification<br>A, D, E, F, GE, HP, I, J, L, LF<br>MA, MN, PS, Q, RC, T, UR, V<br>W, Y, Z |
|---|---|-----------------------------------|------------------------------------|---------------------------------|---|---|---|--|

# IKO C-Lube Linear Roller Way Super MX

Block type mounted from bottom

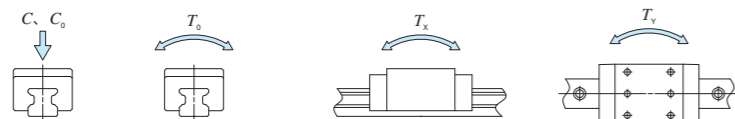
|       |            |    |    |    |    |
|-------|------------|----|----|----|----|
| Shape | MXD • LRXD |    |    |    |    |
| Size  | 10         | 12 | 15 | 20 | 25 |
|       | 30         | 35 | 45 | 55 | 65 |



| Model number | Interchangeable | Mass (Ref.)   |                 | Dimensions of assembly mm |                |     | Dimensions of slide unit mm |                |                |                |                |                |                | Dimensions of track rail mm |                |   |                |                |                | Mounting bolt for track rail <sup>(2)</sup> | Basic dynamic load rating <sup>(3)</sup> | Basic static load rating <sup>(3)</sup> | Static moment rating <sup>(3)</sup> |         |       |                    |      |                |                |
|--------------|-----------------|---------------|-----------------|---------------------------|----------------|-----|-----------------------------|----------------|----------------|----------------|----------------|----------------|----------------|-----------------------------|----------------|---|----------------|----------------|----------------|---|--|---|-------------------------------------|---------|-------|--------------------|------|----------------|----------------|
|              |                 | Slide unit kg | Track rail kg/m | H                         | H <sub>1</sub> | N   | W <sub>2</sub>              | W <sub>3</sub> | W <sub>4</sub> | L <sub>1</sub> | L <sub>2</sub> | L <sub>3</sub> | L <sub>4</sub> | M <sub>1</sub> × depth      | H <sub>3</sub> | W | H <sub>4</sub> | d <sub>3</sub> | d <sub>4</sub> |   |  |   | h                                   | E       | F     | Bolt size × length | C    | C <sub>0</sub> | T <sub>0</sub> |
| —            | LRXD 10···SL    | —             | 0.028           | 0.48                      | 13             | 1.5 | 5                           | 20             | 13             | 3.5            | 34.5           | 12             | 20.8           | —                           | M2.6 × 3       | 3 | 10             | 8              | 3.5            | 6   | 3.5                                      | 12.5                                    | 25                                  | M3 × 10 | 3 200 | 5 880              | 37.9 | 20.9           | 20.9           |
| MXDC 12      | LRXDC 12        | ○             | 0.045           | 0.92                      | 20             | 3   | 7.5                         | 27             | 15             | 6              | 40             | —              | 15.8           | 44                          | M4 × 4.5       | 4 | 12             | 12             | 3.5            | 6   | 4.5                                      | 20                                      | 40                                  | M3 × 12 | 4 250 | 6 500              | 49.4 | 18.6           | 18.6           |
| —            | LRXDC 12···SL   | ○             |                 |                           |                |     |                             |                |                |                | 37             | —              | 14.8           | 40                          |                |   |                |                |                |   |  |   |                                     |         | —     | —                  | —    | —              | —              |
| MXD 12       | LRXD 12         | ○             | 0.072           | 0.92                      | 20             | 3   | 7.5                         | 27             | 15             | 6              | 50             | —              | 25.4           | 53                          | M4 × 4.5       | 4 | 12             | 12             | 3.5            | 6   | 4.5                                      | 20                                      | 40                                  | M3 × 12 | 6 120 | 10 400             | 79.1 | 45.8           | 45.8           |
| —            | LRXD 12···SL    | ○             |                 |                           |                |     |                             |                |                |                | 47             | —              | 25.3           | 50                          |                |   |                |                |                |   |  |   |                                     |         | —     |                    | —    | —              | —              |
| MXD 12···SL  | LRXD 12···SL    | ○             | 0.097           | 0.92                      | 20             | 3   | 7.5                         | 27             | 15             | 6              | 50             | 15             | 25.4           | 53                          | M4 × 4.5       | 4 | 12             | 12             | 3.5            | 6   | 4.5                                      | 20                                      | 40                                  | M3 × 12 | 6 120 | 10 400             | 79.1 | 45.8           | 45.8           |
| —            | LRXD 12···SL    | ○             |                 |                           |                |     |                             |                |                |                | 47             | —              | 25.3           | 50                          |                |   |                |                |                |   |  |   |                                     |         | —     |                    | —    | —              | —              |
| MXDG 12      | LRXDG 12        | ○             | 0.097           | 0.92                      | 20             | 3   | 7.5                         | 27             | 15             | 6              | 61             | —              | 36.6           | 64                          | M4 × 4.5       | 4 | 12             | 12             | 3.5            | 6   | 4.5                                      | 20                                      | 40                                  | M3 × 12 | 8 120 | 15 000             | 114  | 92.7           | 92.7           |
| —            | LRXDG 12···SL   | ○             |                 |                           |                |     |                             |                |                |                | 58             | —              | 35.8           | 61                          |                |   |                |                |                |   |  |   |                                     |         | —     |                    | —    | —              | —              |

Note<sup>(1)</sup> : Track rail lengths are shown in Table 2.1, Table 2.2 on page II-153 and Table 2.3, Table 2.4 on page II-154.  
<sup>(2)</sup> : The appended track rail mounting bolts are hexagon socket head bolts of JIS B 1176 or equivalent. In stainless steel model, stainless steel made bolts are appended. In assembled set of MX series, track rail mounting bolt is not appended.  
<sup>(3)</sup> : The directions of basic dynamic load rating (C), basic static load rating (C<sub>0</sub>) and static moment rating (T<sub>0</sub>, T<sub>x</sub>, T<sub>y</sub>) are shown in the sketches below. The upper values in the T<sub>x</sub> and T<sub>y</sub> columns apply to one slide unit, and the lower values apply to two slide units in close contact.

Remark 1 : Size 10 is provided with oil holes. For specification, see Fig. 2 on page II-166.  
 2 : For grease nipple specifications, see Table 15 on page II-166.  
 3 : In size 12, mounting thread hole for grease nipple is provided on the left and right end plates respectively.



### Example of identification number of assembled set

| Model code | Size | Part code | Material symbol | Preload symbol | Class symbol | Interchangeable code | Supplemental code |
|------------|------|-----------|-----------------|----------------|--------------|----------------------|-------------------|
| MXD        | G    | 12        | C2              | R560           | T1           | P                    | S1 / F            |
| ①          | ②    | ③         | ④               | ⑤              | ⑥            | ⑦                    | ⑧                 |

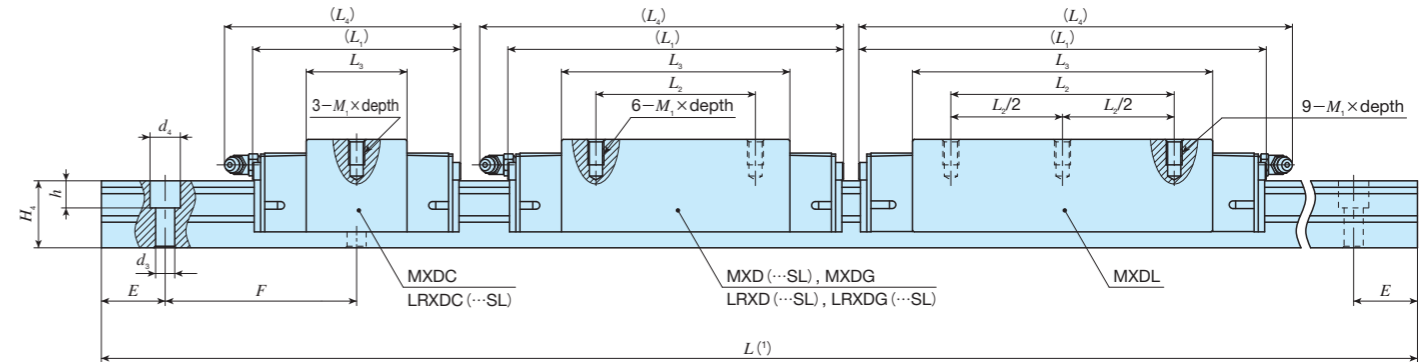
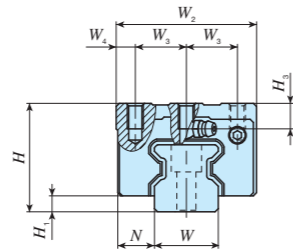
|   |   |   |   |
|---|---|---|---|
| ① Series<br>MXD LRXD Block type mounted from bottom                             | ④ Number of slide unit (two units)<br>2                           | ⑦ Preload amount<br>No symbol Standard<br>T1 Light preload<br>T2 Medium preload<br>T3 Heavy preload | ⑩ Interchangeable code<br>S1 Interchangeable specification<br>S2 Interchangeable specification<br>No symbol Non interchangeable specification |
| ② Length of slide unit<br>C Short<br>No symbol Standard<br>G High rigidity long | ⑤ Length of track rail (560mm)<br>560                             | ⑧ Accuracy class<br>H High<br>P Precision<br>SP Super precision<br>UP Ultra precision               | ⑪ Special specification<br>A, D, E, F, HP, I, L, LF, MA<br>MN, N, Q, T, V, W, Y, Z  |
| ③ Size<br>10, 12  | ⑥ Material symbol<br>No symbol Carbon steel<br>SL Stainless steel |   |   |



# IKO C-Lube Linear Roller Way Super MX

Block type mounted from bottom

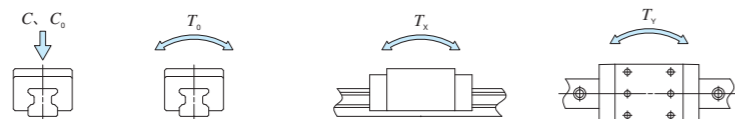
|       |            |    |    |    |    |
|-------|------------|----|----|----|----|
| Shape | MXD • LRXD |    |    |    |    |
|       |            |    |    |    |    |
| Size  | 10         | 12 | 15 | 20 | 25 |
|       | 30         | 35 | 45 | 55 | 65 |



| Model number |                  | Interchangeable | Mass (Ref.)   |                 | Dimensions of assembly mm |                |     | Dimensions of slide unit mm |                |                |                |                |                |                | Dimensions of track rail mm |                |    |                |                |                | Mounting bolt for track rail (2) | Basic dynamic load rating (3) | Basic static load rating (3) | Static moment rating (3) |        |        |                    |                |                |
|--------------|------------------|-----------------|---------------|-----------------|---------------------------|----------------|-----|-----------------------------|----------------|----------------|----------------|----------------|----------------|----------------|-----------------------------|----------------|----|----------------|----------------|----------------|----------------------------------|-------------------------------|------------------------------|--------------------------|--------|--------|--------------------|----------------|----------------|
| MX           | LRX (Non C-Lube) |                 | Slide unit kg | Track rail kg/m | H                         | H <sub>1</sub> | N   | W <sub>2</sub>              | W <sub>3</sub> | W <sub>4</sub> | L <sub>1</sub> | L <sub>2</sub> | L <sub>3</sub> | L <sub>4</sub> | M <sub>1</sub> × depth      | H <sub>3</sub> | W  | H <sub>4</sub> | d <sub>3</sub> | d <sub>4</sub> |                                  |                               |                              | h                        | E      | F      | Bolt size × length | C              | C <sub>0</sub> |
| MXDC 15      | LRXDC 15         | ○               | 0.13          | 1.65            | 28                        | 4              | 9.5 | 34                          | 13             | 4              | 52             | —              | 24             | 55             | M4 × 8                      | 7.5            | 15 | 16.5           | 4.5            | 8              | 6                                | 30                            | 60                           | M4 × 16                  | 7 730  | 12 000 | 113                | 50.6<br>457    | 50.6<br>457    |
| —            | LRXDC 15...SL    | ○               | 0.19          |                 |                           |                |     |                             |                |                | 68             | 26             | 40             | 71             |                             |                |    |                |                |                |                                  |                               |                              |                          | 11 500 | 20 000 | 188                | 136<br>942     | 136<br>942     |
| MXD 15       | LRXD 15          | ○               | 0.26          |                 |                           |                |     |                             |                |                | 84             | 56             | 87             | 14 900         |                             |                |    |                |                |                |                                  |                               |                              |                          | 28 000 | 263    | 262<br>1 590       | 262<br>1 590   |                |
| MXD 15...SL  | LRXD 15...SL     | ○               | 0.25          |                 |                           |                |     |                             |                |                | 66             | —              | 31.6           | 74             |                             |                |    |                |                |                |                                  |                               |                              |                          | 16 100 | 26 400 | 341                | 150<br>1 260   | 150<br>1 260   |
| MXDG 15      | LRXDG 15         | ○               | 0.38          | 2.73            | 34                        | 5              | 12  | 44                          | 16             | 6              | 86             | 36             | 51.6           | 94             | M5 × 8                      | 8              | 20 | 21             | 6              | 9.5            | 8.5                              | 30                            | 60                           | M5 × 20                  | 23 400 | 42 700 | 550                | 379<br>2 520   | 379<br>2 520   |
| —            | LRXDG 15...SL    | ○               | 0.52          |                 |                           |                |     |                             |                |                | 106            | 50             | 71.6           | 114            |                             |                |    |                |                |                |                                  |                               |                              |                          | 30 100 | 58 900 | 760                | 713<br>4 200   | 713<br>4 200   |
| MXD 20       | LRXD 20          | ○               | 0.67          |                 |                           |                |     |                             |                |                | 128            | 70             | 94.1           | 137            |                             |                |    |                |                |                |                                  |                               |                              |                          | 37 200 | 77 200 | 996                | 1 210<br>6 560 | 1 210<br>6 560 |
| MXD 20...SL  | LRXD 20...SL     | ○               | —             |                 |                           |                |     |                             |                |                | —              | —              | —              | —              |                             |                |    |                |                |                |                                  |                               |                              |                          | —      | —      | —                  | —              | —              |

Note (1) : Track rail lengths are shown in Table 2.1, Table 2.2 on page II-153 and Table 2.3, Table 2.4 on page II-154.  
 (2) : The appended track rail mounting bolts are hexagon socket head bolts of JIS B 1176 or equivalent. In stainless products, stainless steel made bolts are appended. In assembled set of MX series, track rail mounting bolt is not appended.  
 (3) : The directions of basic dynamic load rating (C), basic static load rating (C<sub>0</sub>) and static moment rating (T<sub>0</sub>, T<sub>x</sub>, T<sub>y</sub>) are shown in the sketches below. The upper values in the T<sub>x</sub> and T<sub>y</sub> columns apply to one slide unit, and the lower values apply to two slide units in close contact.

Remark 1 : For grease nipple specifications, see Table 15 on page II-166.  
 2 : A grease nipple mounting thread hole is provided on the left and right end plates respectively.



**Example of identification number of assembled set**

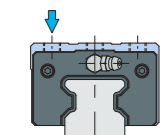
|            |          |           |                 |                |              |                      |                   |
|------------|----------|-----------|-----------------|----------------|--------------|----------------------|-------------------|
| Model code | Size     | Part code | Material symbol | Preload symbol | Class symbol | Interchangeable code | Supplemental code |
| <b>MXD</b> | <b>G</b> | <b>20</b> | <b>C2</b>       | <b>R840</b>    | <b>T1</b>    | <b>P</b>             | <b>S1</b>         |
| ①          | ②        | ③         | ④               | ⑤              | ⑥            | ⑦                    | ⑧                 |

|   |                                    |   |   |
|---|------------------------------------|---|---|
| ① Series  | ③ Size                             | ⑦ Preload amount  | ⑩ Interchangeable code  |
| MXD<br>LRXD   | 15, 20                             | No symbol Standard<br>T1 Light preload<br>T2 Medium preload<br>T3 Heavy preload | S1 Interchangeable specification<br>S2 Interchangeable specification<br>No symbol Non interchangeable specification |
| ② Length of slide unit  | ④ Number of slide unit (two units) | ⑧ Accuracy class  | ⑨ Special specification   |
| C Short<br>No symbol Standard<br>G High rigidity long<br>L Extra high rigidity long | ⑤ Length of track rail (840mm)     | H High<br>P Precision<br>SP Super precision<br>UP Ultra precision               | A, D, E, F, HP, I, J, L, LF, MA<br>MN, N, Q, RC, T, UR, V, W, Y<br>Z  |
| ⑥ Material symbol   | ⑨ Special specification            |   |   |
| No symbol Carbon steel<br>SL Stainless steel  |                                    |   |   |

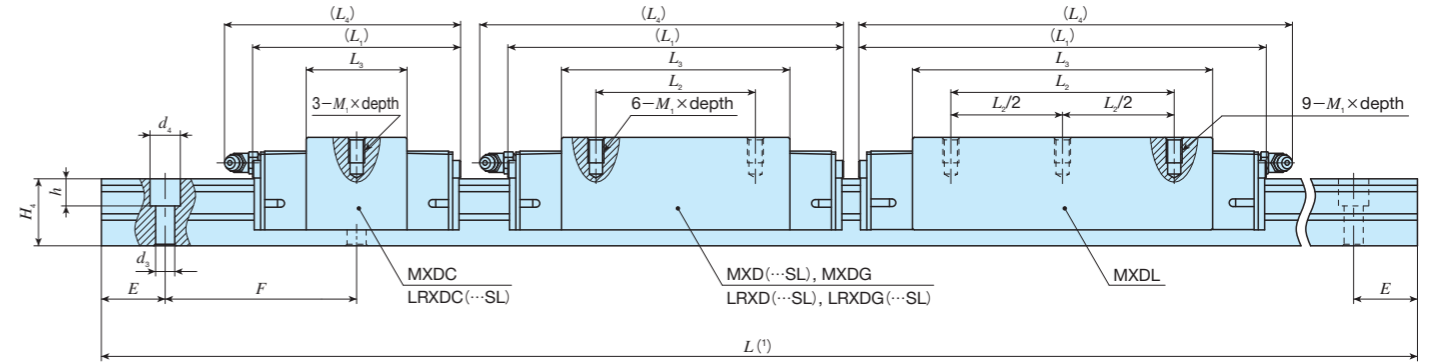
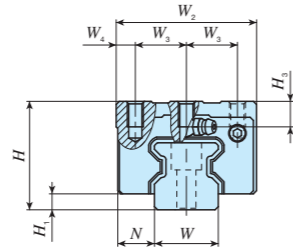
# IKO C-Lube Linear Roller Way Super MX

Block type mounted from bottom

MXD • LRXD



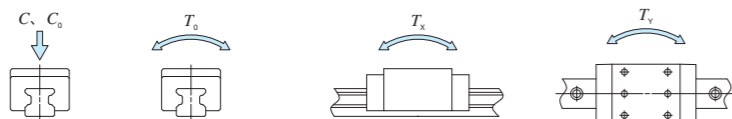
|      |    |    |    |    |    |
|------|----|----|----|----|----|
| Size | 10 | 12 | 15 | 20 | 25 |
|      | 30 | 35 | 45 | 55 | 65 |



| Model number |                  | Interchangeable | Mass (Ref.)   |                 | Dimensions of assembly mm |     |      | Dimensions of slide unit mm |      |     |     |    |       |     | Dimensions of track rail mm |     |    |      |    |    | Mounting bolt for track rail (2) | Basic dynamic load rating (3) | Basic static load rating (3) | Static moment rating (3) |        |         |                    |              |              |        |        |        |   |   |   |   |   |   |   |   |   |   |   |   |
|--------------|------------------|-----------------|---------------|-----------------|---------------------------|-----|------|-----------------------------|------|-----|-----|----|-------|-----|-----------------------------|-----|----|------|----|----|----------------------------------|-------------------------------|------------------------------|--------------------------|--------|---------|--------------------|--------------|--------------|--------|--------|--------|---|---|---|---|---|---|---|---|---|---|---|---|
| MX           | LRX (Non C-Lube) |                 | Slide unit kg | Track rail kg/m | H                         | H1  | N    | W2                          | W3   | W4  | L1  | L2 | L3    | L4  | M1 x depth                  | H3  | W  | H4   | d3 | d4 |                                  |                               |                              | h                        | E      | F       | Bolt size x length | C N          | C0 N         | T0 N·m | Tx N·m | Ty N·m |   |   |   |   |   |   |   |   |   |   |   |   |
| MXDC 25      | LRXDC 25         | ○               | 0.36          | 3.59            | 40                        | 6   | 12.5 | 48                          | 17.5 | 6.5 | 74  | -  | 36    | 83  | M6 x 12                     | 9   | 23 | 24.5 | 7  | 11 | 9                                | 30                            | 60                           | M6 x 25                  | 21 600 | 33 800  | 500                | 213 1 810    | 213 1 810    |        |        |        |   |   |   |   |   |   |   |   |   |   |   |   |
| -            | LRXDC 25-SL      | ○               | 0.55          |                 |                           |     |      |                             |      |     | 98  | 35 | 60    | 107 |                             |     |    |      |    |    |                                  |                               |                              |                          | 32 100 | 56 300  | 833                | 573 3 800    | 573 3 800    |        |        |        |   |   |   |   |   |   |   |   |   |   |   |   |
| MXD 25       | LRXD 25          | ○               | 0.68          |                 |                           |     |      |                             |      |     | 113 | 50 | 75    | 122 |                             |     |    |      |    |    |                                  |                               |                              |                          | 38 200 | 70 300  | 1 040              | 885 5 380    | 885 5 380    |        |        |        |   |   |   |   |   |   |   |   |   |   |   |   |
| MXD 25-SL    | LRXD 25-SL       | ○               | 0.88          |                 |                           |     |      |                             |      |     | 137 | 70 | 99    | 146 |                             |     |    |      |    |    |                                  |                               |                              |                          | 47 400 | 92 800  | 1 370              | 1 530 8 480  | 1 530 8 480  |        |        |        |   |   |   |   |   |   |   |   |   |   |   |   |
| MXDG 25      | LRXDG 25         | ○               | 0.60          |                 |                           |     |      |                             |      |     | 85  | -  | 42.4  | 95  |                             |     |    |      |    |    |                                  |                               |                              |                          | 29 200 | 44 600  | 808                | 329 2 740    | 329 2 740    |        |        |        |   |   |   |   |   |   |   |   |   |   |   |   |
| -            | LRXDG 25-SL      | ○               | 0.92          | 5.01            | 45                        | 6.5 | 16   | 60                          | 20   | 10  | 113 | 40 | 70.4  | 123 | M8 x 12                     | 9.5 | 28 | 28   | 9  | 14 | 12                               | 40                            | 80                           | M8 x 28                  | 43 400 | 74 400  | 1 350              | 883 5 780    | 883 5 780    |        |        |        |   |   |   |   |   |   |   |   |   |   |   |   |
| MXD 30       | LRXD 30          | ○               | 1.18          |                 |                           |     |      |                             |      |     | 134 | 60 | 91.4  | 144 |                             |     |    |      |    |    |                                  |                               |                              |                          | 53 200 | 96 700  | 1 750              | 1 470 8 740  | 1 470 8 740  |        |        |        |   |   |   |   |   |   |   |   |   |   |   |   |
| MXD 30-SL    | LRXD 30-SL       | ○               | 1.52          |                 |                           |     |      |                             |      |     | 162 | 80 | 119.4 | 172 |                             |     |    |      |    |    |                                  |                               |                              |                          | 65 600 | 126 000 | 2 290              | 2 500 13 600 | 2 500 13 600 |        |        |        |   |   |   |   |   |   |   |   |   |   |   |   |
| MXDG 30      | LRXDG 30         | ○               | -             |                 |                           |     |      |                             |      |     | -   | -  | -     | -   |                             |     |    |      |    |    |                                  |                               |                              |                          | -      | -       | -                  | -            | -            | -      | -      | -      | - | - | - | - | - | - | - | - | - | - | - | - |
| -            | LRXDG 30-SL      | ○               | -             |                 |                           |     |      |                             |      |     | -   | -  | -     | -   |                             |     |    |      |    |    |                                  |                               |                              |                          | -      | -       | -                  | -            | -            | -      | -      | -      | - | - | - | - | - | - | - | - | - | - | - | - |
| MXDL 30      | -                | -               | -             | -               | -                         | -   | -    | -                           | -    | -   | -   | -  | -     | -   | -                           | -   | -  | -    | -  | -  | -                                | -                             | -                            | -                        | -      | -       | -                  |              |              |        |        |        |   |   |   |   |   |   |   |   |   |   |   |   |

Note (1) : Track rail lengths are shown in Table 2.1, Table 2.2 on page II-153 and Table 2.3, Table 2.4 on page II-154.  
 (2) : The appended track rail mounting bolts are hexagon socket head bolts of JIS B 1176 or equivalent. In stainless products, stainless steel made bolts are appended. In assembled set of MX series, track rail mounting bolt is not appended.  
 (3) : The directions of basic dynamic load rating (C), basic static load rating (C0) and static moment rating (T0, Tx, Ty) are shown in the sketches below. The upper values in the Tx and Ty columns apply to one slide unit, and the lower values apply to two slide units in close contact.

Remark 1 : For grease nipple specifications, see Table 15 on page II-166.  
 2 : A grease nipple mounting thread hole is provided on the left and right end plates respectively.



### Example of identification number of assembled set

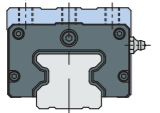
| Model code | Size     | Part code | Material symbol | Preload symbol | Class symbol | Interchangeable code | Supplemental code |           |    |
|------------|----------|-----------|-----------------|----------------|--------------|----------------------|-------------------|-----------|----|
| <b>MXD</b> | <b>G</b> | <b>25</b> | <b>C2</b>       | <b>R840</b>    | <b>T1</b>    | <b>P</b>             | <b>S1</b>         | <b>/F</b> |    |
| 1          | 2        | 3         | 4               | 5              | 6            | 7                    | 8                 | 9         | 10 |

|   |  |                         |   |  |  |  |  |  |   |
|---|--|-------------------------|---|--|--|--|--|--|---|
| <b>1 Series</b><br>MXD Block type mounted from bottom<br>LRXD | <b>2 Length of slide unit</b><br>C Short<br>No symbol Standard<br>G High rigidity long<br>L Extra high rigidity long | <b>3 Size</b><br>25, 30 | <b>4 Number of slide unit (two units)</b><br>2, 3 | <b>5 Length of track rail (840mm)</b><br>840 | <b>6 Material symbol</b><br>No symbol Carbon steel<br>SL Stainless steel | <b>7 Preload amount</b><br>No symbol Standard<br>T1 Light preload<br>T2 Medium preload<br>T3 Heavy preload | <b>8 Accuracy class</b><br>H High<br>P Precision<br>SP Super precision<br>UP Ultra precision | <b>9 Interchangeable code</b><br>S1 Interchangeable specification<br>S2 Interchangeable specification<br>No symbol Non interchangeable specification | <b>10 Special specification</b><br>A, D, E, F, HP, I, J, L, LF, MA, MN, N, Q, RC, T, UR, V, W, Y, Z |
|---|--|-------------------------|---|--|--|--|--|--|---|

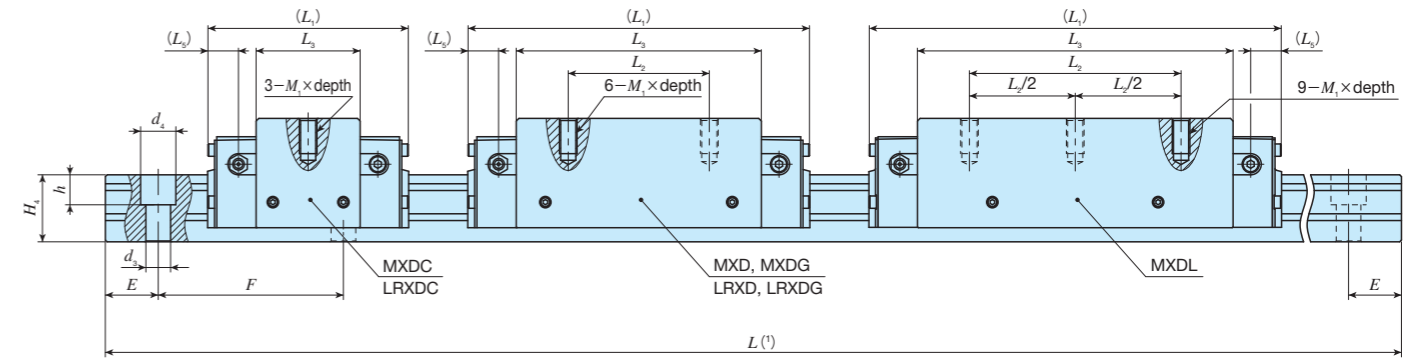
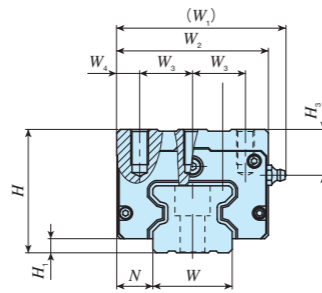
# IKO C-Lube Linear Roller Way Super MX

Block type mounted from bottom

MXD • LRXD



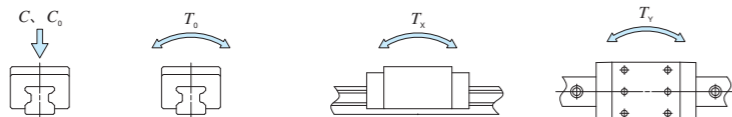
|      |    |    |    |    |    |
|------|----|----|----|----|----|
| Size | 10 | 12 | 15 | 20 | 25 |
|      | 30 | 35 | 45 | 55 | 65 |



| Model number | MX | LRX (Non C-Lube) | Interchangeable | Mass (Ref.)   |                 | Dimensions of assembly mm |     |      | Dimensions of slide unit mm |    |    |    |     |     |       | Dimensions of track rail mm |            |    |    |    |    |    | Mounting bolt for track rail (2) | Basic dynamic load rating (3) C N | Basic static load rating (3) C0 N | Static moment rating (3) |        |        |                    |        |        |        |     |     |      |      |      |  |  |  |  |  |  |  |  |  |  |  |  |  |  |  |  |  |  |  |  |  |
|--------------|----|------------------|-----------------|---------------|-----------------|---------------------------|-----|------|-----------------------------|----|----|----|-----|-----|-------|-----------------------------|------------|----|----|----|----|----|----------------------------------|-----------------------------------|-----------------------------------|--------------------------|--------|--------|--------------------|--------|--------|--------|-----|-----|------|------|------|--|--|--|--|--|--|--|--|--|--|--|--|--|--|--|--|--|--|--|--|--|
|              |    |                  |                 | Slide unit kg | Track rail kg/m | H                         | H1  | N    | W1                          | W2 | W3 | W4 | L1  | L2  | L3    | L5                          | M1 x depth | H3 | W  | H4 | d3 | d4 |                                  |                                   |                                   | h                        | E      | F      | Bolt size x length | T0 N·m | Tx N·m | Ty N·m |     |     |      |      |      |  |  |  |  |  |  |  |  |  |  |  |  |  |  |  |  |  |  |  |  |  |
| MXDC 35      |    | LRXDC 35         | ○               | 0.97          | 6.88            | 55                        | 6.5 | 18   | 78                          | 70 | 25 | 10 | 92  | -   | 46.6  | 12.7                        | M 8x16     | 20 | 34 | 32 | 9  | 14 | 12                               | 40                                | 80                                | M 8x35                   | 39 500 | 60 000 | 1 300              | 506    | 506    |        |     |     |      |      |      |  |  |  |  |  |  |  |  |  |  |  |  |  |  |  |  |  |  |  |  |  |
|              |    |                  |                 |               |                 |                           |     |      |                             |    |    |    |     |     |       |                             |            |    |    |    |    |    |                                  |                                   |                                   |                          |        |        |                    |        |        |        |     |     |      |      |      |  |  |  |  |  |  |  |  |  |  |  |  |  |  |  |  |  |  |  |  |  |
| MXD 35       |    | LRXD 35          | ○               | 1.52          |                 |                           |     |      |                             |    |    |    |     |     |       |                             |            |    |    |    |    |    |                                  |                                   |                                   |                          |        |        |                    |        |        |        | 124 | 50  | 78.6 | 12.7 |      |  |  |  |  |  |  |  |  |  |  |  |  |  |  |  |  |  |  |  |  |  |
|              |    |                  | ○               |               |                 |                           |     |      |                             |    |    |    |     |     |       |                             |            |    |    |    |    |    |                                  |                                   |                                   |                          |        |        |                    |        |        |        |     |     |      | 12.5 |      |  |  |  |  |  |  |  |  |  |  |  |  |  |  |  |  |  |  |  |  |  |
| MXDG 35      |    | LRXDG 35         | ○               | 2.02          |                 |                           |     |      |                             |    |    |    | 152 | 72  | 106.6 | 12.7                        |            |    |    |    |    |    |                                  |                                   |                                   |                          |        |        |                    |        |        |        |     |     |      |      |      |  |  |  |  |  |  |  |  |  |  |  |  |  |  |  |  |  |  |  |  |  |
|              |    |                  | ○               |               |                 |                           |     |      |                             |    |    |    |     |     |       | 12.5                        |            |    |    |    |    |    |                                  |                                   |                                   |                          |        |        |                    |        |        |        |     |     |      |      |      |  |  |  |  |  |  |  |  |  |  |  |  |  |  |  |  |  |  |  |  |  |
| MXDL 35      |    | -                | -               | 2.55          |                 |                           |     |      |                             |    |    |    | 184 | 100 | 138.6 | 12.7                        |            |    |    |    |    |    |                                  |                                   |                                   |                          |        |        |                    |        |        |        |     |     |      |      |      |  |  |  |  |  |  |  |  |  |  |  |  |  |  |  |  |  |  |  |  |  |
|              |    |                  |                 |               |                 |                           |     |      |                             |    |    |    |     |     |       |                             |            |    |    |    |    |    |                                  |                                   |                                   |                          |        |        |                    |        |        |        |     |     |      |      |      |  |  |  |  |  |  |  |  |  |  |  |  |  |  |  |  |  |  |  |  |  |
| MXDC 45      |    | LRXDC 45         | ○               | 2.01          | 10.8            | 70                        | 8   | 20.5 | 97                          | 86 | 30 | 13 | 114 | -   | 59    | 17.5                        | M10x20     | 26 | 45 | 38 | 14 | 20 | 17                               | 52.5                              | 105                               | M12x40                   | 64 100 | 95 600 | 2 660              | 1 010  | 1 010  |        |     |     |      |      |      |  |  |  |  |  |  |  |  |  |  |  |  |  |  |  |  |  |  |  |  |  |
|              |    |                  |                 |               |                 |                           |     |      |                             |    |    |    |     |     |       |                             |            |    |    |    |    |    |                                  |                                   |                                   |                          |        |        |                    |        |        |        |     |     |      |      |      |  |  |  |  |  |  |  |  |  |  |  |  |  |  |  |  |  |  |  |  |  |
| MXD 45       |    | LRXD 45          | ○               | 3.13          |                 |                           |     |      |                             |    |    |    |     |     |       |                             |            |    |    |    |    |    |                                  |                                   |                                   |                          |        |        |                    |        |        |        |     | 154 | 60   | 99   |      |  |  |  |  |  |  |  |  |  |  |  |  |  |  |  |  |  |  |  |  |  |
|              |    |                  | ○               |               |                 |                           |     |      |                             |    |    |    |     |     |       |                             |            |    |    |    |    |    |                                  |                                   |                                   |                          |        |        |                    |        |        |        |     |     |      |      | 12.5 |  |  |  |  |  |  |  |  |  |  |  |  |  |  |  |  |  |  |  |  |  |
| MXDG 45      |    | LRXDG 45         | ○               | 4.29          |                 |                           |     |      |                             |    |    |    | 194 | 80  | 139   |                             |            |    |    |    |    |    |                                  |                                   |                                   |                          |        |        |                    |        |        |        |     |     |      |      |      |  |  |  |  |  |  |  |  |  |  |  |  |  |  |  |  |  |  |  |  |  |
|              |    |                  | ○               |               |                 |                           |     |      |                             |    |    |    |     |     |       |                             |            |    |    |    |    |    |                                  |                                   |                                   |                          |        |        |                    |        |        |        |     |     |      |      |      |  |  |  |  |  |  |  |  |  |  |  |  |  |  |  |  |  |  |  |  |  |
| MXDL 45      |    | -                | -               | 5.36          |                 |                           |     |      |                             |    |    |    | 234 | 120 | 179   |                             |            |    |    |    |    |    |                                  |                                   |                                   |                          |        |        |                    |        |        |        |     |     |      |      |      |  |  |  |  |  |  |  |  |  |  |  |  |  |  |  |  |  |  |  |  |  |
|              |    |                  |                 |               |                 |                           |     |      |                             |    |    |    |     |     |       |                             |            |    |    |    |    |    |                                  |                                   |                                   |                          |        |        |                    |        |        |        |     |     |      |      |      |  |  |  |  |  |  |  |  |  |  |  |  |  |  |  |  |  |  |  |  |  |

Note(1) : Track rail lengths are shown in Table 2.1 on page II-153 and Table 2.3 on page II-154.  
 (2) : The appended track rail mounting bolts are hexagon socket head bolts of JIS B 1176 or equivalent. In assembled set of MX series, track rail mounting bolt is not appended.  
 (3) : The directions of basic dynamic load rating (C), basic static load rating (C0) and static moment rating (T0, Tx, Ty) are shown in the sketches below. The upper values in the Tx and Ty columns apply to one slide unit, and the lower values apply to two slide units in close contact.

Remark 1 : For grease nipple specifications, see Table 15 on page II-166.  
 2 : A grease nipple mounting thread hole is provided on the left and right end plates respectively.



Example of identification number of assembled set

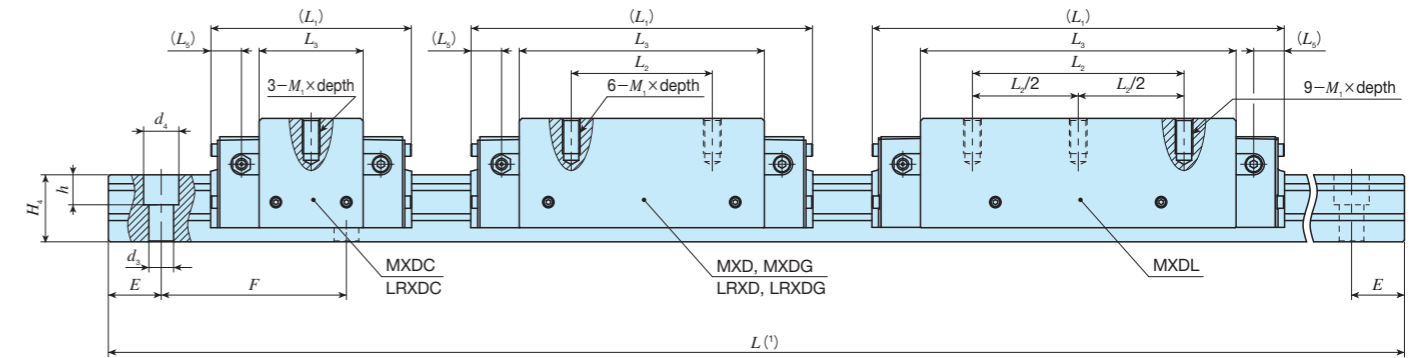
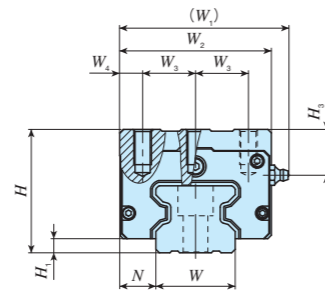
| Model code | Size      | Part code | Preload symbol | Class symbol | Interchangeable code | Supplemental code |
|------------|-----------|-----------|----------------|--------------|----------------------|-------------------|
| <b>MXD</b> | <b>G</b>  | <b>35</b> | <b>C2</b>      | <b>R1200</b> | <b>T2</b>            | <b>P</b>          |
| <b>S1</b>  | <b>/F</b> |           |                |              |                      |                   |

|  |   |                  |                                    |                                 |   |   |   |   |
|--|---|------------------|------------------------------------|---------------------------------|---|---|---|---|
| ① Series<br>MXD Block type mounted from bottom<br>LRXD | ② Length of slide unit<br>C Short<br>No symbol Standard<br>G High rigidity long<br>L Extra high rigidity long | ③ Size<br>35, 45 | ④ Number of slide unit (two units) | ⑤ Length of track rail (1200mm) | ⑥ Preload amount<br>No symbol Standard<br>T1 Light preload<br>T2 Medium preload<br>T3 Heavy preload | ⑦ Accuracy class<br>H High<br>P Precision<br>SP Super precision<br>UP Ultra precision | ⑧ Interchangeable code<br>S1 Interchangeable specification<br>S2 Interchangeable specification<br>No symbol Non interchangeable specification | ⑨ Special specification<br>A, D, E, F, HP, I, J, L, LF, MA<br>MN, N, PS, Q, RC, T, UR, V, W<br>Y, Z |
|--|---|------------------|------------------------------------|---------------------------------|---|---|---|---|

# IKO C-Lube Linear Roller Way Super MX

Block type mounted from bottom

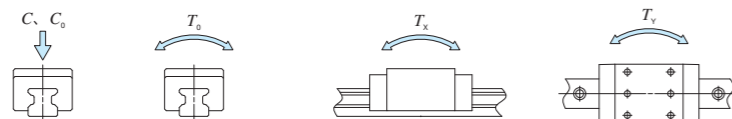
|       |            |    |    |    |    |
|-------|------------|----|----|----|----|
| Shape | MXD • LRXD |    |    |    |    |
|       |            |    |    |    |    |
| Size  | 10         | 12 | 15 | 20 | 25 |
|       | 30         | 35 | 45 | 55 | 65 |



| Model number | LRX (Non C-Lube) | Interchangeable | Mass (Ref.)   |                 | Dimensions of assembly mm |    |      | Dimensions of slide unit mm |     |      |      |     |     |     | Dimensions of track rail mm |        |            |    |    |    |    | Mounting bolt for track rail (2) | Basic dynamic load rating (3) C N | Basic static load rating (3) C0 N | Static moment rating (3) |         |         |       |                    |        |
|--------------|------------------|-----------------|---------------|-----------------|---------------------------|----|------|-----------------------------|-----|------|------|-----|-----|-----|-----------------------------|--------|------------|----|----|----|----|----------------------------------|-----------------------------------|-----------------------------------|--------------------------|---------|---------|-------|--------------------|--------|
|              |                  |                 | Slide unit kg | Track rail kg/m | H                         | H1 | N    | W1                          | W2  | W3   | W4   | L1  | L2  | L3  | L4                          | L5     | M1 x depth | H3 | W  | H4 | d3 |                                  |                                   |                                   | d4                       | h       | E       | F     | Bolt size x length | T0 N·m |
| MXDC 55      | LRXDC 55         | ○               | 3.17          | 14.1            | 80                        | 9  | 23.5 | 111                         | 100 | 37.5 | 12.5 | 136 | -   | 72  | 20                          | M12x25 | 26         | 53 | 43 | 16 | 23 | 20                               | 60                                | 120                               | M14x45                   | 99 700  | 149 000 | 4 830 | 1 880              | 1 880  |
| MXD 55       | LRXD 55          | ○               | 4.97          |                 |                           |    |      |                             |     |      |      | 184 | 75  | 120 |                             |        |            |    |    |    |    |                                  |                                   |                                   |                          | 5 040   | 5 040   |       |                    |        |
| MXDG 55      | LRXDG 55         | ○               | 7.06          |                 |                           |    |      |                             |     |      |      | 238 | 95  | 174 |                             |        |            |    |    |    |    |                                  |                                   |                                   |                          | 10 400  | 10 400  |       |                    |        |
| MXDL 55      | -                | -               | 9.08          |                 |                           |    |      |                             |     |      |      | 292 | 150 | 228 |                             |        |            |    |    |    |    |                                  |                                   |                                   |                          | 17 700  | 17 700  |       |                    |        |
| MXDC 65      | LRXDC 65         | ○               | 5.52          | 22.6            | 90                        | 12 | 31.5 | 136                         | 126 | 38   | 25   | 180 | -   | 95  | 26.3                        | M16x25 | 18         | 63 | 56 | 18 | 26 | 22                               | 75                                | 150                               | M16x60                   | 174 000 | 249 000 | 9 790 | 4 200              | 4 200  |
| MXD 65       | LRXD 65          | ○               | 8.70          |                 |                           |    |      |                             |     |      |      | 181 | 70  | 159 |                             |        |            |    |    |    |    |                                  |                                   |                                   |                          | 11 300  | 11 300  |       |                    |        |
| MXDG 65      | LRXDG 65         | ○               | 12.1          |                 |                           |    |      |                             |     |      |      | 244 | 120 | 223 |                             |        |            |    |    |    |    |                                  |                                   |                                   |                          | 19 300  | 19 300  |       |                    |        |
| MXDL 65      | -                | -               | 15.5          |                 |                           |    |      |                             |     |      |      | 245 | 200 | 295 |                             |        |            |    |    |    |    |                                  |                                   |                                   |                          | 26 600  | 26 600  |       |                    |        |

Note (1) : Track rail lengths are shown in Table 2.1 on page II-153 and Table 2.3 on page II-154.  
 (2) : The appended track rail mounting bolts are hexagon socket head bolts of JIS B 1176 or equivalent. In assembled set of MX series, track rail mounting bolt is not appended.  
 (3) : The directions of basic dynamic load rating (C), basic static load rating (C0) and static moment rating (T0, Tx, Ty) are shown in the sketches below. The upper values in the Tx and Ty columns apply to one slide unit, and the lower values apply to two slide units in close contact.

Remark 1 : For grease nipple specifications, see Table 15 on page II-166.  
 2 : A grease nipple mounting thread hole is provided on the left and right end plates respectively.



### Example of identification number of assembled set

Model code    Size    Part code    Preload symbol    Class symbol    Interchangeable code    Supplemental code

**MXD**   **G**   **55**   **C2**   **R3000**   **T2**   **P**   **S1**   **/F**

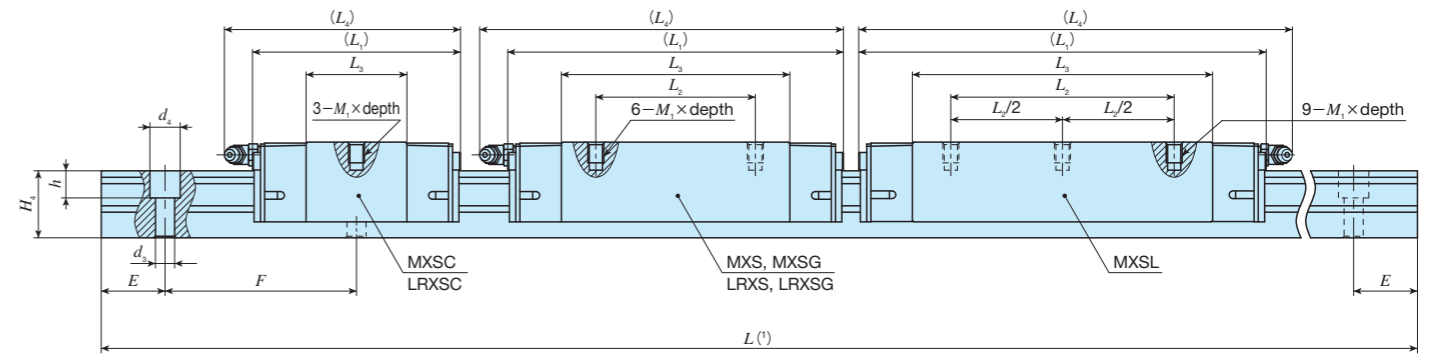
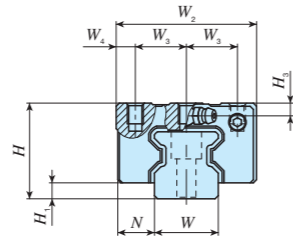
①   ②   ③   ④   ⑤   ⑥   ⑦   ⑧   ⑨

|  |   |                  |                                    |                                 |   |   |   |  |
|--|---|------------------|------------------------------------|---------------------------------|---|---|---|--|
| ① Series<br>MXD Block type mounted from bottom<br>LRXD | ② Length of slide unit<br>C Short<br>No symbol Standard<br>G High rigidity long<br>L Extra high rigidity long | ③ Size<br>55, 65 | ④ Number of slide unit (two units) | ⑤ Length of track rail (3000mm) | ⑥ Preload amount<br>No symbol Standard<br>T1 Light preload<br>T2 Medium preload<br>T3 Heavy preload | ⑦ Accuracy class<br>H High<br>P Precision<br>SP Super precision<br>UP Ultra precision | ⑧ Interchangeable code<br>S1 Interchangeable specification<br>S2 Interchangeable specification<br>No symbol Non interchangeable specification | ⑨ Special specification<br>A, D, E, F, HP, I, J, L, LF, MA, MN, PS, Q, RC, T, UR, V, W, Y, Z |
|--|---|------------------|------------------------------------|---------------------------------|---|---|---|--|

# IKO C-Lube Linear Roller Way Super MX

Compact block type, mounting from bottom

|       |            |    |    |    |
|-------|------------|----|----|----|
| Shape | MXS • LRXS |    |    |    |
|       |            |    |    |    |
| Size  | 15         | 20 | 25 | 30 |
|       | 35         | 45 | 55 |    |



| Model number | LRX (Non C-Lube) | Interchangeable | Mass (Ref.)   |                 | Dimensions of assembly mm |     |      | Dimensions of slide unit mm |      |     |     |    |       |        | Dimensions of track rail mm |     |    |      |     |     | Mounting bolt for track rail (3) | Basic dynamic load rating (4) C N | Basic static load rating (4) C0 N | Static moment rating (4) |        |         |              |                 |                 |
|--------------|------------------|-----------------|---------------|-----------------|---------------------------|-----|------|-----------------------------|------|-----|-----|----|-------|--------|-----------------------------|-----|----|------|-----|-----|----------------------------------|-----------------------------------|-----------------------------------|--------------------------|--------|---------|--------------|-----------------|-----------------|
|              |                  |                 | Slide unit kg | Track rail kg/m | H                         | H1  | N    | W2                          | W3   | W4  | L1  | L2 | L3    | L4     | M1 x depth (2)              | H3  | W  | H4   | d3  | d4  |                                  |                                   |                                   | h                        | E      | F       | T0 N·m       | Tx N·m          | Ty N·m          |
| MXSC 15      | LRXSC 15         | ○               | 0.099         | 1.65            | 24                        | 4   | 9.5  | 34                          | 13   | 4   | 52  | -  | 24    | 55     | M4 x 5.5                    | 3.5 | 15 | 16.5 | 4.5 | 8   | 6                                | 30                                | 60                                | M4 x 16                  | 7 730  | 12 000  | 113          | 50.6<br>457     | 50.6<br>457     |
| MXS 15       | LRXS 15          | ○               | 0.15          |                 |                           |     |      |                             |      |     | 68  | 26 | 40    | 71     |                             |     |    |      |     |     |                                  |                                   |                                   |                          | 11 500 | 20 000  | 188          | 136<br>942      | 136<br>942      |
| MXSG 15      | LRXSG 15         | ○               | 0.21          |                 |                           |     |      |                             |      |     | 84  | 56 | 87    | 14 900 |                             |     |    |      |     |     |                                  |                                   |                                   |                          | 28 000 | 263     | 262<br>1 590 | 262<br>1 590    |                 |
| MXSC 20      | LRXSC 20         | ○               | 0.21          |                 |                           |     |      |                             |      |     | 66  | -  | 31.6  | 74     |                             |     |    |      |     |     |                                  |                                   |                                   |                          | 16 100 | 26 400  | 341          | 150<br>1 260    | 150<br>1 260    |
| MXS 20       | LRXS 20          | ○               | 0.31          | 2.73            | 30                        | 5   | 12   | 44                          | 16   | 6   | 86  | 36 | 51.6  | 94     | M5 x 6.5                    | 4   | 20 | 21   | 6   | 9.5 | 8.5                              | 30                                | 60                                | M5 x 20                  | 23 400 | 42 700  | 550          | 379<br>2 520    | 379<br>2 520    |
| MXSG 20      | LRXSG 20         | ○               | 0.42          |                 |                           |     |      |                             |      |     | 106 | 50 | 71.6  | 114    |                             |     |    |      |     |     |                                  |                                   |                                   |                          | 30 100 | 58 900  | 760          | 713<br>4 200    | 713<br>4 200    |
| MXSL 20      | -                | -               | 0.55          |                 |                           |     |      |                             |      |     | 128 | 70 | 94.1  | 137    |                             |     |    |      |     |     |                                  |                                   |                                   |                          | 37 200 | 77 200  | 996          | 1 210<br>6 560  | 1 210<br>6 560  |
| MXSC 25      | LRXSC 25         | ○               | 0.30          |                 |                           |     |      |                             |      |     | 74  | -  | 36    | 83     |                             |     |    |      |     |     |                                  |                                   |                                   |                          | 21 600 | 33 800  | 500          | 213<br>1 810    | 213<br>1 810    |
| MXS 25       | LRXS 25          | ○               | 0.47          | 3.59            | 36                        | 6   | 12.5 | 48                          | 17.5 | 6.5 | 98  | 35 | 60    | 107    | M6 x 9                      | 5   | 23 | 24.5 | 7   | 11  | 9                                | 30                                | 60                                | M6 x 25                  | 32 100 | 56 300  | 833          | 573<br>3 800    | 573<br>3 800    |
| MXSG 25      | LRXSG 25         | ○               | 0.57          |                 |                           |     |      |                             |      |     | 113 | 50 | 75    | 122    |                             |     |    |      |     |     |                                  |                                   |                                   |                          | 38 200 | 70 300  | 1 040        | 885<br>5 380    | 885<br>5 380    |
| MXSL 25      | -                | -               | 0.74          |                 |                           |     |      |                             |      |     | 137 | 70 | 99    | 146    |                             |     |    |      |     |     |                                  |                                   |                                   |                          | 47 400 | 92 800  | 1 370        | 1 530<br>8 480  | 1 530<br>8 480  |
| MXSC 30      | LRXSC 30         | ○               | 0.54          |                 |                           |     |      |                             |      |     | 85  | -  | 42.4  | 95     |                             |     |    |      |     |     |                                  |                                   |                                   |                          | 29 200 | 44 600  | 808          | 329<br>2 740    | 329<br>2 740    |
| MXS 30       | LRXS 30          | ○               | 0.83          | 5.01            | 42                        | 6.5 | 16   | 60                          | 20   | 10  | 113 | 40 | 70.4  | 123    | M8 x 11                     | 6.5 | 28 | 28   | 9   | 14  | 12                               | 40                                | 80                                | M8 x 28                  | 43 400 | 74 400  | 1 350        | 883<br>5 780    | 883<br>5 780    |
| MXSG 30      | LRXSG 30         | ○               | 1.05          |                 |                           |     |      |                             |      |     | 134 | 60 | 91.4  | 144    |                             |     |    |      |     |     |                                  |                                   |                                   |                          | 53 200 | 96 700  | 1 750        | 1 470<br>8 740  | 1 470<br>8 740  |
| MXSL 30      | -                | -               | 1.37          |                 |                           |     |      |                             |      |     | 162 | 80 | 119.4 | 172    |                             |     |    |      |     |     |                                  |                                   |                                   |                          | 65 600 | 126 000 | 2 290        | 2 500<br>13 600 | 2 500<br>13 600 |

Note (1) : Track rail lengths are shown in Table 2.1 on page II-153 and Table 2.3 on page II-154.

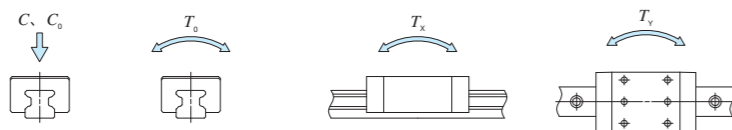
(2) : Insertion screw depth for MXS15, MXS20 and MXS25 are shown in Table 16.1 on page II-168.

(3) : The appended track rail mounting bolts are hexagon socket head bolts of JIS B 1176 or equivalent. In assembled set of MX series, track rail mounting bolt is not appended.

(4) : The directions of basic dynamic load rating (C), basic static load rating (C0) and static moment rating (T0, Tx, Ty) are shown in the sketches below. The upper values in the Tx and Ty columns apply to one slide unit, and the lower values apply to two slide units in close contact.

Remark 1 : For grease nipple specifications, see Table 15 on page II-166.

2 : A grease nipple mounting thread hole is provided on the left and right end plates respectively.



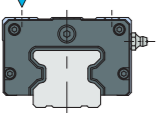
### Example of identification number of assembled set

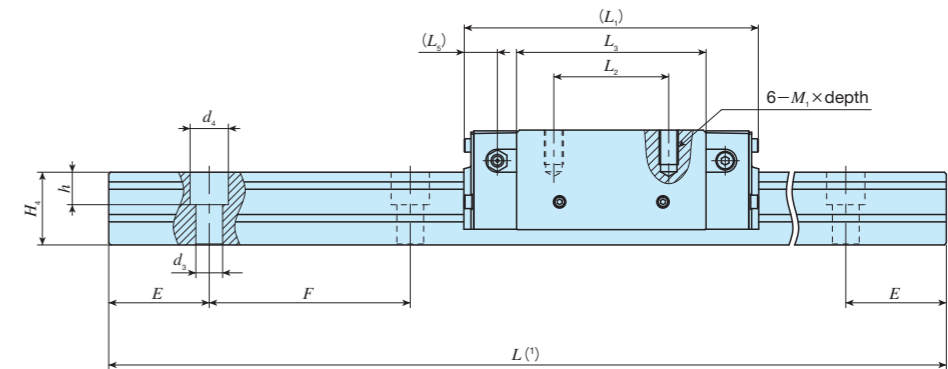
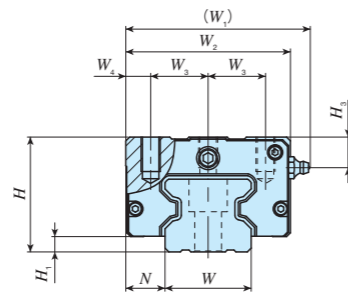
Model code: MXS, Size: G, Part code: 25, Preload symbol: C2, Class symbol: R840, Interchangeable code: T1, Supplemental code: P, S1, /F

|  |   |                          |                                    |                                |   |   |   |   |
|--|---|--------------------------|------------------------------------|--------------------------------|---|---|---|---|
| ① Series<br>MXS Compact block type, mounting from bottom<br>LRXS | ② Length of slide unit<br>C Short<br>No symbol Standard<br>G High rigidity long<br>L Extra high rigidity long | ③ Size<br>15, 20, 25, 30 | ④ Number of slide unit (two units) | ⑤ Length of track rail (840mm) | ⑥ Preload amount<br>No symbol Standard<br>T1 Light preload<br>T2 Medium preload<br>T3 Heavy preload | ⑦ Accuracy class<br>H High<br>P Precision<br>SP Super precision<br>UP Ultra precision | ⑧ Interchangeable code<br>S1 Interchangeable specification<br>S2 Interchangeable specification<br>No symbol Non interchangeable specification | ⑨ Special specification<br>A, D, E, F, HP, I, J, L, LF, MA<br>MN, N, Q, RC, T, UR, V, W<br>Y, Z |
|--|---|--------------------------|------------------------------------|--------------------------------|---|---|---|---|

# IKO C-Lube Linear Roller Way Super MX

Compact block type, mounting from bottom

|       |   |    |    |    |
|-------|---|----|----|----|
| Shape | <b>MXS</b>  |    |    |    |
|       |  |    |    |    |
| Size  | 15  | 20 | 25 | 30 |
|       | 35  | 45 | 55 |    |



| Model number | MX | LRX<br>(Non C-Lube) | Interchangeable | Mass (Ref.)   |                 | Dimensions of assembly mm |                |       | Dimensions of slide unit mm |                |                |                |                |                |                | Dimensions of track rail mm |                       |                |    |                |                | Mounting bolt for track rail <sup>(2)</sup><br>Bolt size×length | Basic dynamic load rating <sup>(3)</sup><br>C<br>N | Basic static load rating <sup>(3)</sup><br>C <sub>0</sub><br>N | Static moment rating <sup>(3)</sup> |        |         |         |                       |                       |                       |
|--------------|----|---------------------|-----------------|---------------|-----------------|---------------------------|----------------|-------|-----------------------------|----------------|----------------|----------------|----------------|----------------|----------------|-----------------------------|-----------------------|----------------|----|----------------|----------------|---|--|--|-------------------------------------|--------|---------|---------|-----------------------|-----------------------|-----------------------|
|              |    |                     |                 | Slide unit kg | Track rail kg/m | H                         | H <sub>1</sub> | N     | W <sub>1</sub>              | W <sub>2</sub> | W <sub>3</sub> | W <sub>4</sub> | L <sub>1</sub> | L <sub>2</sub> | L <sub>3</sub> | L <sub>5</sub>              | M <sub>1</sub> ×depth | H <sub>3</sub> | W  | H <sub>4</sub> | d <sub>3</sub> |   |  |  | d <sub>4</sub>                      | h      | E       | F       | T <sub>0</sub><br>N·m | T <sub>x</sub><br>N·m | T <sub>y</sub><br>N·m |
| MXS 35       |    | -                   | ○               | 1.22          | 6.88            | 48                        | 6.5            | 18    | 78                          | 70             | 25             | 10             | 124            | 50             | 78.6           | 12.7                        | M 8×12                | 13             | 34 | 32             | 9              | 14  | 12   | 40   | 80                                  | M 8×35 | 58 700  | 100 000 | 2 170                 | 1 360                 | 1 360                 |
| MXSG 35      |    | -                   | ○               | 1.61          |                 | 152                       | 72             | 106.6 | 2 440                       | 2 440          |                |                |                |                |                |                             |                       |                |    |                |                |   |  |  |                                     |        |         |         |                       |                       |                       |
| MXS 45       |    | -                   | ○               | 2.37          | 10.8            | 60                        | 8              | 20.5  | 97                          | 86             | 30             | 13             | 154            | 60             | 99             | 17.5                        | M10×18                | 16             | 45 | 38             | 14             | 20  | 17   | 52.5   | 105                                 | M12×40 | 95 400  | 159 000 | 4 430                 | 2 700                 | 2 700                 |
| MXSG 45      |    | -                   | ○               | 3.27          |                 | 194                       | 80             | 139   | 5 220                       | 5 220          |                |                |                |                |                |                             |                       |                |    |                |                |   |  |  |                                     |        |         |         |                       |                       |                       |
| MXS 55       |    | -                   | ○               | 3.96          | 14.1            | 70                        | 9              | 23.5  | 111                         | 100            | 37.5           | 12.5           | 184            | 75             | 120            | 20                          | M12×20                | 16             | 53 | 43             | 16             | 23  | 20   | 60   | 120                                 | M14×45 | 148 000 | 248 000 | 8 040                 | 5 040                 | 5 040                 |
| MXSG 55      |    | -                   | ○               | 5.63          |                 | 238                       | 95             | 174   | 10 400                      | 10 400         |                |                |                |                |                |                             |                       |                |    |                |                |   |  |  |                                     |        |         |         |                       |                       |                       |

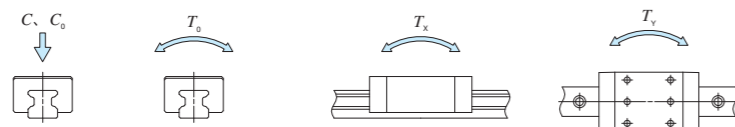
Note<sup>(1)</sup> : Track rail lengths are shown in Table 2.1 on page II-153 and Table 2.3 on page II-154.

<sup>(2)</sup> : Track rail mounting bolts are not appended.

<sup>(3)</sup> : The directions of basic dynamic load rating (C), basic static load rating (C<sub>0</sub>) and static moment rating (T<sub>0</sub>, T<sub>x</sub>, T<sub>y</sub>) are shown in the sketches below. The upper values in the T<sub>x</sub> and T<sub>y</sub> columns apply to one slide unit, and the lower values apply to two slide units in close contact.

Remark 1 : For grease nipple specifications, see Table 15 on page II-166.

2 : A grease nipple mounting thread hole is provided on the left and right end plates respectively.



### Example of identification number of assembled set

Model code    Size    Part code    Preload symbol    Class symbol    Interchangeable code    Supplemental code

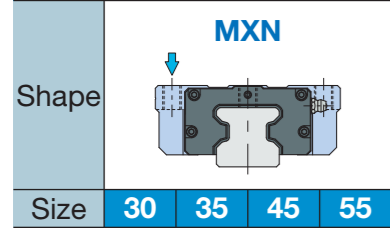
**MXS**    **G**    **45**    **C2**    **R1470**    **T1**    **P**    **S1**    **/F**

①    ②    ③    ④    ⑤    ⑥    ⑦    ⑧    ⑨

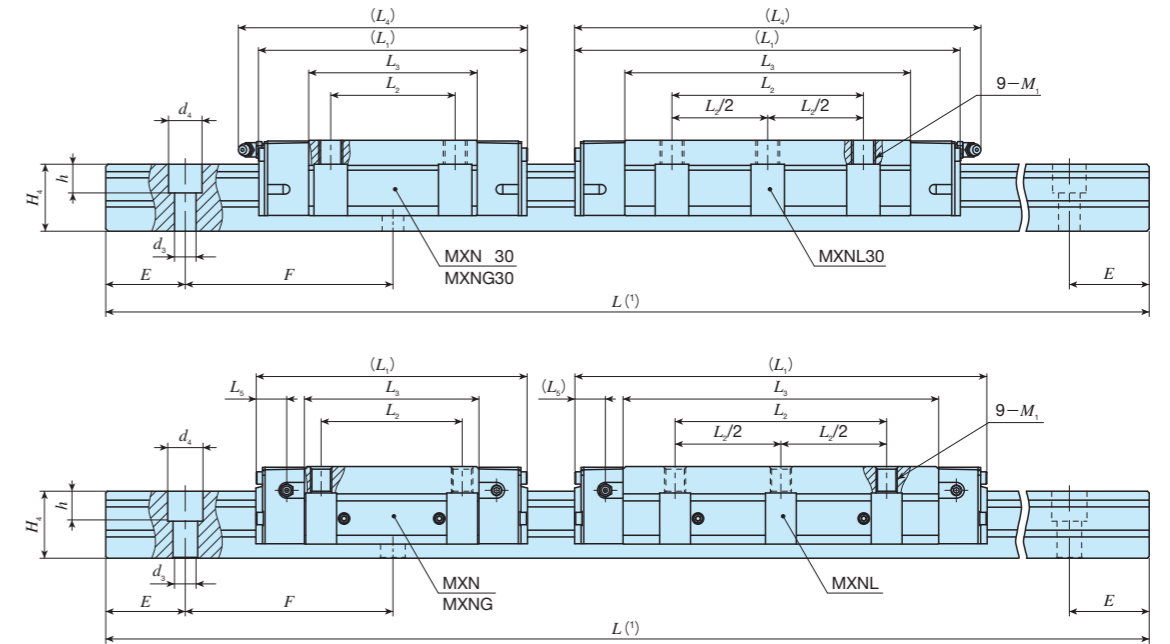
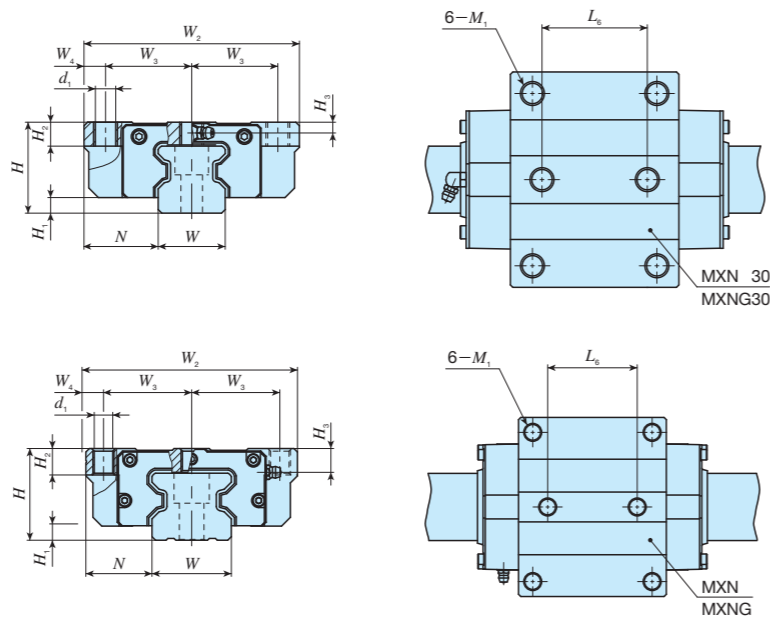
|                                 |   |                                    |            |                  |   |                         |   |
|---------------------------------|---|------------------------------------|------------|------------------|---|-------------------------|---|
| ① Series                        | MXS<br>Compact block type, mounting from bottom | ③ Size                             | 35, 45, 55 | ⑥ Preload amount | No symbol Standard<br>T <sub>1</sub> Light preload<br>T <sub>2</sub> Medium preload<br>T <sub>3</sub> Heavy preload | ⑧ Interchangeable code  | S1 Interchangeable specification<br>S2 Interchangeable specification<br>No symbol Non interchangeable specification |
| ② Length of slide unit          | No symbol Standard<br>G High rigidity long      | ④ Number of slide unit (two units) |            | ⑦ Accuracy class | H High<br>P Precision<br>SP Super precision<br>UP Ultra precision   | ⑨ Special specification | A, D, E, F, HP, I, J, L, LF, MA<br>N, RC, T, UR, V, W, Z  |
| ⑤ Length of track rail (1470mm) |   |                                    |            |                  |   |                         |   |

# IKO C-Lube Linear Roller Way Super MX

## Flange type mounting from top



MXN 30  
MXNG 30  
MXNL 30



| Model number | LRX<br>(Non C-Lube) | Interchangeable | Mass (Ref.)   |                 | Dimensions of assembly mm |                |      | Dimensions of slide unit mm |                |                |                |                |                |                |                |                |                | Dimensions of track rail mm |                                       |                |                |    |                | Mounting bolt for track rail <sup>(3)</sup><br>Bolt size×length | Basic dynamic load rating <sup>(4)</sup><br>C<br>N | Basic static load rating <sup>(4)</sup><br>C <sub>0</sub><br>N | Static moment rating <sup>(4)</sup> |                |         |         |        |                       |                       |                       |      |    |    |    |    |    |      |        |        |         |         |                |                  |                  |
|--------------|---------------------|-----------------|---------------|-----------------|---------------------------|----------------|------|-----------------------------|----------------|----------------|----------------|----------------|----------------|----------------|----------------|----------------|----------------|-----------------------------|---------------------------------------|----------------|----------------|----|----------------|---|--|--|-------------------------------------|----------------|---------|---------|--------|-----------------------|-----------------------|-----------------------|------|----|----|----|----|----|------|--------|--------|---------|---------|----------------|------------------|------------------|
|              |                     |                 | Slide unit kg | Track rail kg/m | H                         | H <sub>1</sub> | N    | W <sub>2</sub>              | W <sub>3</sub> | W <sub>4</sub> | L <sub>1</sub> | L <sub>2</sub> | L <sub>3</sub> | L <sub>4</sub> | L <sub>5</sub> | L <sub>6</sub> | d <sub>1</sub> | M <sub>1</sub>              | Maximum screwing depth <sup>(2)</sup> | H <sub>2</sub> | H <sub>3</sub> | W  | H <sub>4</sub> |   |  |  | d <sub>3</sub>                      | d <sub>4</sub> | h       | E       | F      | T <sub>0</sub><br>N·m | T <sub>x</sub><br>N·m | T <sub>y</sub><br>N·m |      |    |    |    |    |    |      |        |        |         |         |                |                  |                  |
| MXN 30       | -                   | ○               | 1.05          | 5.01            | 38                        | 6.5            | 31   | 90                          | 36             | 9              | 113            | 52             | 70.4           | 121            | -              | 44             | 8.5            | M10                         | 9                                     | 10             | 4.5            | 28 | 28             | 9   | 14   | 12   | 40                                  | 80             | M 8×28  | 43 400  | 74 400 | 1 350                 | 883<br>5 780          | 883<br>5 780          |      |    |    |    |    |    |      |        |        |         |         |                |                  |                  |
| MXNG 30      | -                   | ○               | 1.38          |                 |                           |                |      |                             |                |                | 134            | 91.4           | 142            | -              |                |                |                |                             |                                       |                |                |    |                |   |  |  |                                     |                |         | 8.5     | M10    | 11                    | 13                    | 11                    | 34   | 32 | 9  | 14 | 12 | 40 | 80   | M 8×35 | 53 200 | 96 700  | 1 750   | 1 470<br>8 740 | 1 470<br>8 740   |                  |
| MXNL 30      | -                   | -               | 1.75          |                 |                           |                |      |                             |                |                | 162            | 80             | 119.4          |                |                |                |                |                             |                                       |                |                |    |                |   |  |  |                                     |                |         |         |        |                       |                       |                       |      |    |    |    |    |    |      |        | 170    | 12.7    | 52      | 8.5            | M10              | 13               |
| MXN 35       | -                   | ○               | 1.55          | 6.88            | 44                        | 6.5            | 33   | 100                         | 41             | 9              | 124            | 62             | 78.6           | -              | 52             | 8.5            | M10            | 11                          | 13                                    | 11             | 34             | 32 | 9              | 14  | 12   | 40   | 80                                  | M 8×35         | 58 700  | 100 000 | 2 170  | 1 360<br>8 470        | 1 360<br>8 470        |                       |      |    |    |    |    |    |      |        |        |         |         |                |                  |                  |
| MXNG 35      | -                   | ○               | 2.13          |                 |                           |                |      |                             |                |                | 152            | 106.6          | -              |                |                |                |                |                             |                                       |                |                |    |                |   |  |  |                                     |                | 12.7    | 52      | 8.5    | M10                   | 13                    | 15                    | 13.5 | 45 | 38 | 14 | 20 | 17 | 52.5 | 105    | M12×40 | 74 200  | 135 000 | 2 930          | 2 440<br>13 800  | 2 440<br>13 800  |
| MXNL 35      | -                   | -               | 2.71          |                 |                           |                |      |                             |                |                | 184            | 100            |                |                |                |                |                |                             |                                       |                |                |    |                |   |  |  |                                     |                |         |         |        |                       |                       |                       |      |    |    |    |    |    |      |        |        | 138.6   | 17.5    | 60             | 10.5             | M12              |
| MXN 45       | -                   | ○               | 2.58          | 10.8            | 52                        | 8              | 37.5 | 120                         | 50             | 10             | 154            | 80             | 99             | -              | 60             | 10.5           | M12            | 13                          | 15                                    | 13.5           | 45             | 38 | 14             | 20  | 17   | 52.5   | 105                                 | M12×40         | 95 400  | 159 000 | 4 430  | 2 700<br>16 800       | 2 700<br>16 800       |                       |      |    |    |    |    |    |      |        |        |         |         |                |                  |                  |
| MXNG 45      | -                   | ○               | 3.73          |                 |                           |                |      |                             |                |                | 194            | 139            | -              |                |                |                |                |                             |                                       |                |                |    |                |   |  |  |                                     |                | 17.5    | 60      | 10.5   | M12                   | 15                    | 15                    | 13.5 | 45 | 38 | 14 | 20 | 17 | 52.5 | 105    | M12×40 | 124 000 | 223 000 | 6 200          | 5 220<br>29 000  | 5 220<br>29 000  |
| MXNL 45      | -                   | -               | 4.72          |                 |                           |                |      |                             |                |                | 234            | 120            |                |                |                |                |                |                             |                                       |                |                |    |                |   |  |  |                                     |                |         |         |        |                       |                       |                       |      |    |    |    |    |    |      |        |        | 179     | 17.5    | 60             | 10.5             | M12              |
| MXN 55       | -                   | ○               | 4.61          | 14.1            | 63                        | 9              | 43.5 | 140                         | 58             | 12             | 184            | 95             | 120            | -              | 70             | 12.5           | M14            | 19                          | 17                                    | 16             | 53             | 43 | 16             | 23  | 20   | 60   | 120                                 | M14×45         | 148 000 | 248 000 | 8 040  | 5 040<br>31 100       | 5 040<br>31 100       |                       |      |    |    |    |    |    |      |        |        |         |         |                |                  |                  |
| MXNG 55      | -                   | ○               | 6.94          |                 |                           |                |      |                             |                |                | 238            | 174            | -              |                |                |                |                |                             |                                       |                |                |    |                |   |  |  |                                     |                | 20      | 70      | 12.5   | M14                   | 19                    | 17                    | 16   | 53 | 43 | 16 | 23 | 20 | 60   | 120    | M14×45 | 198 000 | 359 000 | 11 700         | 10 400<br>57 000 | 10 400<br>57 000 |
| MXNL 55      | -                   | -               | 8.87          |                 |                           |                |      |                             |                |                | 292            | 150            |                |                |                |                |                |                             |                                       |                |                |    |                |   |  |  |                                     |                |         |         |        |                       |                       |                       |      |    |    |    |    |    |      |        |        | 228     | 20      | 70             | 12.5             | M14              |

Note<sup>(1)</sup>: Track rail lengths are shown in Table 2.1 on page II-153 and Table 2.3 on page II-154.

<sup>(2)</sup>: It is recommended to secure actual screwing depth should not exceed the maximum screwing depth in the table.

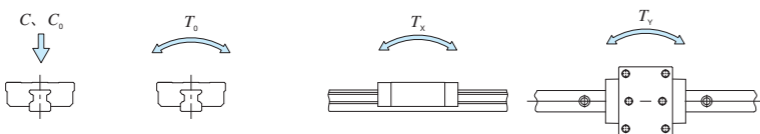
<sup>(3)</sup>: Track rail mounting bolts are not appended.

<sup>(4)</sup>: The directions of basic dynamic load rating (C), basic static load rating (C<sub>0</sub>) and static moment rating (T<sub>0</sub>, T<sub>x</sub>, T<sub>y</sub>) are shown in the sketches below. The upper values in the T<sub>x</sub> and T<sub>y</sub> columns apply to one slide unit, and the lower values apply to two slide units in close contact.

Remark 1: For grease nipple specifications, see Table 15 on page II-166.

2: In size 30, a grease nipple mounting thread hole is provided on the left and right end plates respectively.

3: In size 35, 45 and 55 three female threaded holes for grease nipple are prepared on each end plate. In size 35 female threads for grease nipple are prepared on both side faces and front face of end plate. Thread size of front face is smaller than other threads thus, please consult IKO if grease nipple for front face is required.



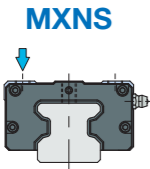
### Example of identification number of assembled set

Model code: MXN, Size: G, Part code: 55, Preload symbol: C2, Class symbol: R3000, Interchangeable code: T2, Supplemental code: P, S1, /F

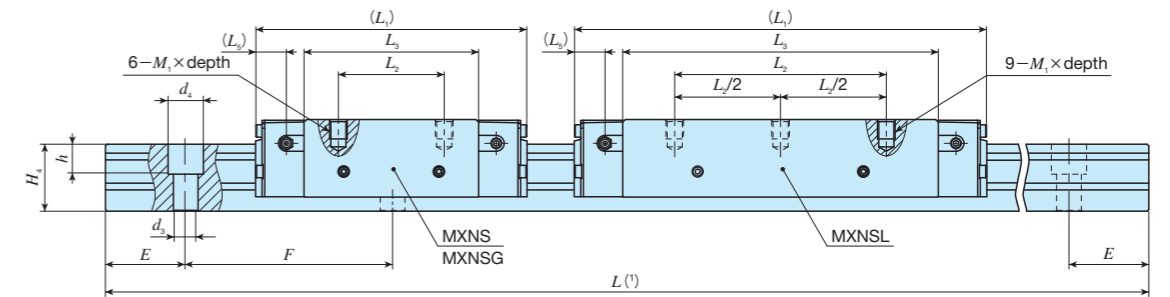
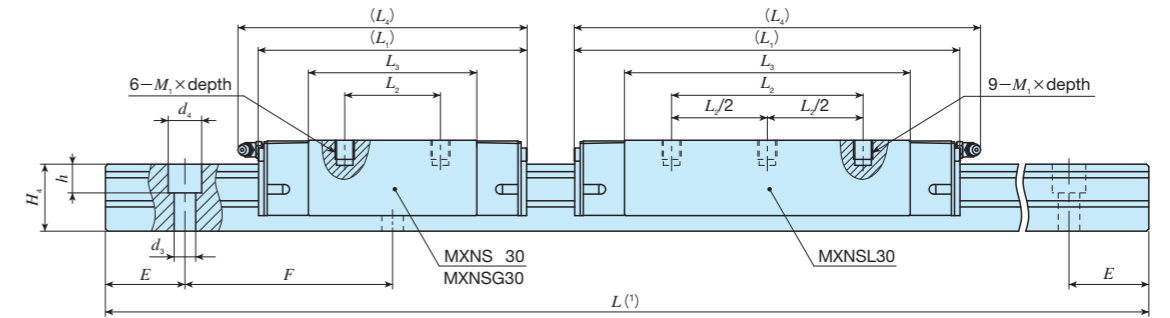
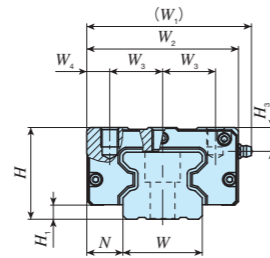
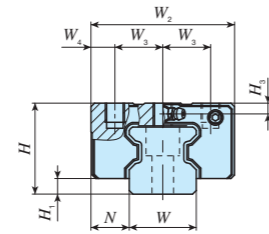
|  |  |                          |                                    |                                 |   |   |  |  |
|--|--|--------------------------|------------------------------------|---------------------------------|---|---|--|--|
| ① Series<br>MXN<br>Flange type mounting from top | ② Length of slide unit<br>G<br>High rigidity long<br>L<br>Extra high rigidity long | ③ Size<br>30, 35, 45, 55 | ④ Number of slide unit (two units) | ⑤ Length of track rail (3000mm) | ⑥ Preload amount<br>No symbol: Standard<br>T1: Light preload<br>T2: Medium preload<br>T3: Heavy preload | ⑦ Accuracy class<br>H: High<br>P: Precision<br>SP: Super precision<br>UP: Ultra precision | ⑧ Interchangeable code<br>S1: Interchangeable specification<br>S2: Interchangeable specification<br>No symbol: Non interchangeable specification | ⑨ Special specification<br>A, D, E, F, HP, I, J, L, LF, MA, RC, T, UR, V, W, Z |
|--|--|--------------------------|------------------------------------|---------------------------------|---|---|--|--|

# IKO C-Lube Linear Roller Way Super MX

## Block type mounting from top

|       |   |    |    |    |
|-------|---|----|----|----|
| Shape |  |    |    |    |
| Size  | 30  | 35 | 45 | 55 |

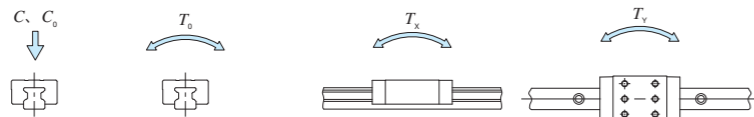
MXNS 30  
MXNSG 30  
MXNSL 30



| Model number | LRX (Non C-Lube) | Interchangeable | Mass (Ref.)   |                 | Dimensions of assembly mm |                |      | Dimensions of slide unit mm |                |                |                |                |                |                |                |                |                                      | Dimensions of track rail mm           |                |    |                |                |                | Mounting bolt for track rail <sup>(3)</sup> | Basic dynamic load rating <sup>(4)</sup> | Basic static load rating <sup>(4)</sup> | Static moment rating <sup>(4)</sup> |         |         |                  |       |                |
|--------------|------------------|-----------------|---------------|-----------------|---------------------------|----------------|------|-----------------------------|----------------|----------------|----------------|----------------|----------------|----------------|----------------|----------------|--------------------------------------|---------------------------------------|----------------|----|----------------|----------------|----------------|---|--|---|-------------------------------------|---------|---------|------------------|-------|----------------|
|              |                  |                 | Slide unit kg | Track rail kg/m | H                         | H <sub>1</sub> | N    | W <sub>1</sub>              | W <sub>2</sub> | W <sub>3</sub> | W <sub>4</sub> | L <sub>1</sub> | L <sub>2</sub> | L <sub>3</sub> | L <sub>4</sub> | L <sub>5</sub> | M <sub>1</sub> ×depth <sup>(2)</sup> | Maximum screwing depth <sup>(2)</sup> | H <sub>3</sub> | W  | H <sub>4</sub> | d <sub>3</sub> | d <sub>4</sub> |   |  |   | h                                   | E       | F       | Bolt size×length | C     | C <sub>0</sub> |
| MXNS 30      | -                | ○               | 0.70          | 5.01            | 38                        | 6.5            | 16   | -                           | 60             | 20             | 10             | 113            | 40             | 70.4           | 121            | -              | M 8 × 8                              | 9                                     | 4.5            | 28 | 28             | 9              | 14             | 12  | 40                                       | 80                                      | M 8 × 28                            | 43 400  | 74 400  | 1 350            | 883   | 883            |
| MXNSG 30     | -                | ○               | 0.90          |                 |                           |                |      |                             |                |                |                | 53 200         | 96 700         | 1 750          | 1 470          |                |                                      |                                       |                |    |                |                |                |   |  |   |                                     | 1 470   |         |                  |       |                |
| MXNSL 30     | -                | -               | 1.14          |                 |                           |                |      |                             |                |                |                | 65 600         | 126 000        | 2 290          | 2 500          |                |                                      |                                       |                |    |                |                |                |   |  |   |                                     | 136 000 |         |                  |       |                |
| MXNS 35      | -                | ○               | 1.08          | 6.88            | 44                        | 6.5            | 18   | 78                          | 70             | 25             | 10             | 124            | 50             | 78.6           | -              | 12.7           | M 8 × 9                              | 11                                    | 11             | 34 | 32             | 9              | 14             | 12  | 40                                       | 80                                      | M 8 × 35                            | 58 700  | 100 000 | 2 170            | 1 360 | 1 360          |
| MXNSG 35     | -                | ○               | 1.42          |                 |                           |                |      |                             |                |                |                | 74 200         | 135 000        | 2 930          |                |                |                                      |                                       |                |    |                |                |                |   |  |   |                                     | 2 440   | 2 440   |                  |       |                |
| MXNSL 35     | -                | -               | 1.81          |                 |                           |                |      |                             |                |                |                | 90 800         | 175 000        | 3 800          |                |                |                                      |                                       |                |    |                |                |                |   |  |   |                                     | 4 060   | 4 060   |                  |       |                |
| MXNS 45      | -                | ○               | 1.84          | 10.8            | 52                        | 8              | 20.5 | 94                          | 86             | 30             | 13             | 154            | 60             | 99             | -              | 17.5           | M10×11                               | 13                                    | 13.5           | 45 | 38             | 14             | 20             | 17  | 52.5                                     | 105                                     | M12×40                              | 95 400  | 159 000 | 4 430            | 2 700 | 2 700          |
| MXNSG 45     | -                | ○               | 2.58          |                 |                           |                |      |                             |                |                |                | 124 000        | 223 000        | 6 200          |                |                |                                      |                                       |                |    |                |                |                |   |  |   |                                     | 5 220   | 5 220   |                  |       |                |
| MXNSL 45     | -                | -               | 3.29          |                 |                           |                |      |                             |                |                |                | 151 000        | 287 000        | 7 980          |                |                |                                      |                                       |                |    |                |                |                |   |  |   |                                     | 8 560   | 8 560   |                  |       |                |
| MXNS 55      | -                | ○               | 3.31          | 14.1            | 63                        | 9              | 23.5 | 111                         | 100            | 37.5           | 12.5           | 184            | 75             | 120            | -              | 20             | M12×15                               | 19                                    | 16             | 53 | 43             | 16             | 23             | 20  | 60                                       | 120                                     | M14×45                              | 148 000 | 248 000 | 8 040            | 5 040 | 5 040          |
| MXNSG 55     | -                | ○               | 4.83          |                 |                           |                |      |                             |                |                |                | 198 000        | 359 000        | 11 700         |                |                |                                      |                                       |                |    |                |                |                |   |  |   |                                     | 10 400  | 10 400  |                  |       |                |
| MXNSL 55     | -                | -               | 6.28          |                 |                           |                |      |                             |                |                |                | 244 000        | 470 000        | 15 300         |                |                |                                      |                                       |                |    |                |                |                |   |  |   |                                     | 17 700  | 17 700  |                  |       |                |

Note<sup>(1)</sup> : Track rail lengths are shown in Table 2.1 on page II-153 and Table 2.3 on page II-154.  
<sup>(2)</sup> : Insertion screw depth of slide unit mounting holes are shown in Table 16.2 on page II-168. It is recommended to secure actual screwing depth should not exceed the maximum screwing depth in the table.  
<sup>(3)</sup> : Track rail mounting bolts are not appended.  
<sup>(4)</sup> : The directions of basic dynamic load rating (C), basic static load rating (C<sub>0</sub>) and static moment rating (T<sub>0</sub>, T<sub>x</sub>, T<sub>y</sub>) are shown in the sketches below. The upper values in the T<sub>x</sub> and T<sub>y</sub> columns apply to one slide unit, and the lower values apply to two slide units in close contact.

Remark 1 : For grease nipple specifications, see Table 15 on page II-166.  
 2 : In size 30, a grease nipple mounting thread hole is provided on the left and right end plates respectively.  
 3 : In size 35, 45 and 55 three female threaded holes for grease nipple are prepared on each end plate. In size 35 female threads for grease nipple are prepared on both side faces and front face of end plate. Thread size of front face is smaller than other threads thus, please consult **IKO** if grease nipple for front face is required.



### Example of identification number of assembled set

|             |           |           |                |              |                      |                   |
|-------------|-----------|-----------|----------------|--------------|----------------------|-------------------|
| Model code  | Size      | Part code | Preload symbol | Class symbol | Interchangeable code | Supplemental code |
| <b>MXNS</b> | <b>G</b>  | <b>55</b> | <b>C2</b>      | <b>R3000</b> | <b>T<sub>2</sub></b> | <b>P</b>          |
| <b>S1</b>   | <b>/F</b> |           |                |              |                      |                   |

- Series: MXNS Block type mounting from top
- Length of slide unit: G High rigidity long
- Size: 30, 35, 45, 55
- Number of slide unit (two units)
- Length of track rail (3000mm)
- Preload amount: T<sub>2</sub> Medium preload
- Accuracy class: P Precision
- Interchangeable code: S1 Interchangeable specification
- Special specification: /F